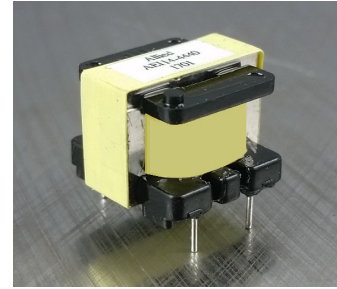




Coupling Transformer

AEI14-4440



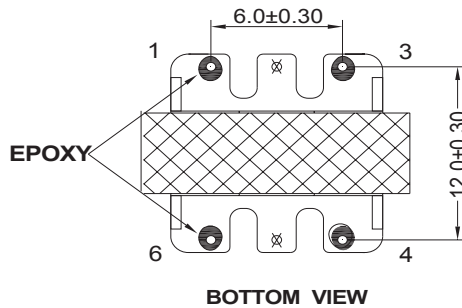
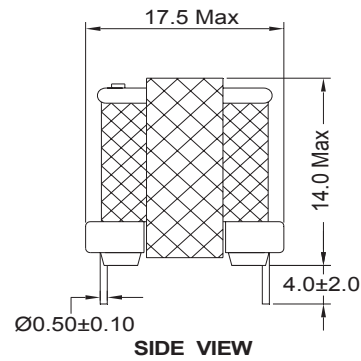
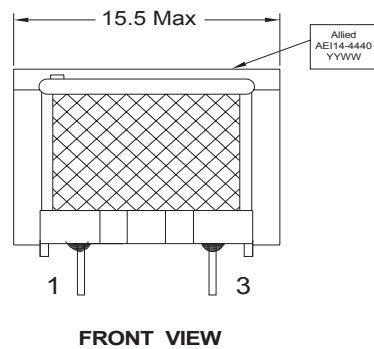
- EI14 Core TH Package
- Operating Industrial Temperature range: -40°C to +85°C

Electrical Specifications @ 25°C					
Impedance 1KHz (KΩ)	DCR (Ω ±20%)	Frequency Response @300Hz - 4.0KHz	Insertion Loss @1KHz	Turns Ratio	Hi-Pot 60S
(3 - 1): 10 ±10%	(3 - 1): 330	±1.0dB	1.7dB Max	(3 - 1):(6 - 4) = 1:1 ±2%	Pri to Sec: 1000VAC
(6 - 4): 10	(6 - 4): 420				Pri to Core: 1000VAC
					Sec to Core: 1000VAC

All specifications subject to change without notice.

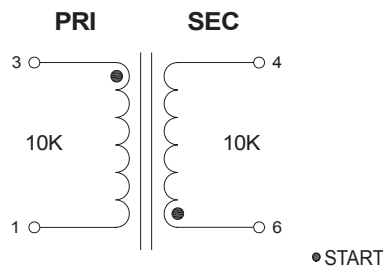
MECHANICAL

DIMENSIONS: MM



NOTE: REMOVE PINS 2 & 5

SCHEMATICS





NO	ITEM	MANUFACTURER	MATERIAL	UL FILE NO.	SGS
1	BOBBIN	CHANG CHUN PLASTICS CO LTD OR EQUIVALENT	T375J	E59481(S)	Yes
2	WIRE	PROSPERITY ELECTRIC WIRE & CABLE CO OR EQUIVALENT	UEW	E196072	Yes
3	TAPE	JINGJIANG YAHUA PRESSURE SENSITIVE GLUE CO LTD OR EQUIVALENT	CT280	E165111	Yes
4	CORE	QI MAO OR EQUIVALENT	PC	N/A	Yes
5	VARNISH	QUALIPOLY CHEMICAL CORP OR EQUIVALENT	1032BIH	E2113437	Yes
6	EPOXY	TIAN HUAN TECH(DONGGUAN) CO LTD OR EQUIVALENT	TH320	E257593	Yes