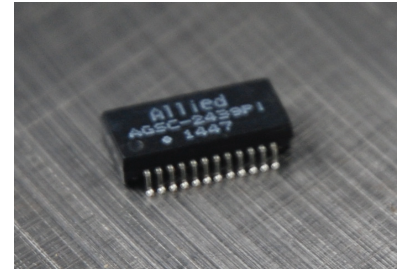




10/100/1000 Base T Single Port PoE

AGSC-2439PI

- 10/100/1000 Gigabit, Full Duplex Application
- Ethernet based LAN, WAN and other networking applications
- PoE compatible with IEEE802.3 ANSI X3.263 Standards
- PoE applications with 350mA current capability
- Operating Temperature Range: -40°C to +85°C



Electrical Specifications @ 25°C

OCL(μH Min) @ 100kHz,0.2mV With 8mA DC Bias	Turns Ratio Pri/Sec (±5%)	Insertion Loss (dB Max) 1-100MHz	Cross Talk (dB Min)			HI-POT (Vrms)
			30MHz	60MHz	100MHz	
350	1CT: 1CT	-1.0	-45	-40	-35	1500

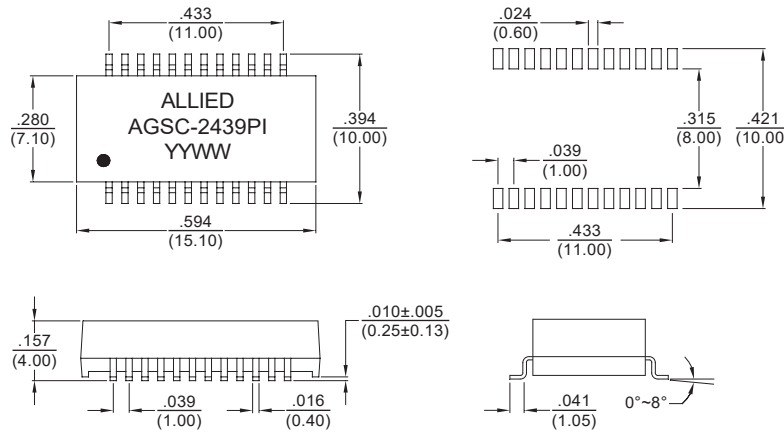
Electrical Specifications @ 25°C

Return Loss (dB Min)					CMRR (dB Min)		
1-30MHz	40MHz	50MHz	60-80MHz	100MHz	30MHz	60MHz	100MHz
-18	-14.4	-13.1	-12	-10	-40	-35	-30

All specifications subject to change without notice.

MECHANICAL

Dimensions: $\frac{\text{inch}}{\text{mm}}$



Unless otherwise specified, all tolerances are ±0.010 (0.25)

SCHEMATICS

