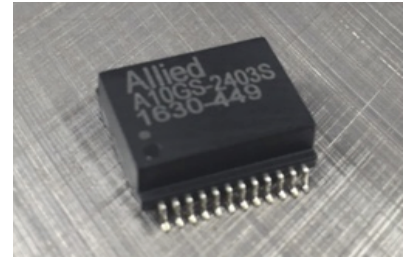


10G BASE-T LAN Filter Module

A10GS-2403S



- 10 Gigabit for LAN / WAN Ethernet applications
- Designed to meet IEEE802.3
- Maximum Reflow Temp. 260°
- Operating Temperature Range: 0°C to +70°C

Electrical Specifications @ 25°C

OCL(μH Min) @100KHzm 0.1V with 8mA DC Bias	Turns Ratio (±2%)	Return Loss @100Ω Load (dB Min)				
		1-40MHz	40-100MHz	200-300MHz	300-400MHz	400-500MHz
200	1CT:1CT	-18.0	-13.1	-8.3	-7.0	-6.1

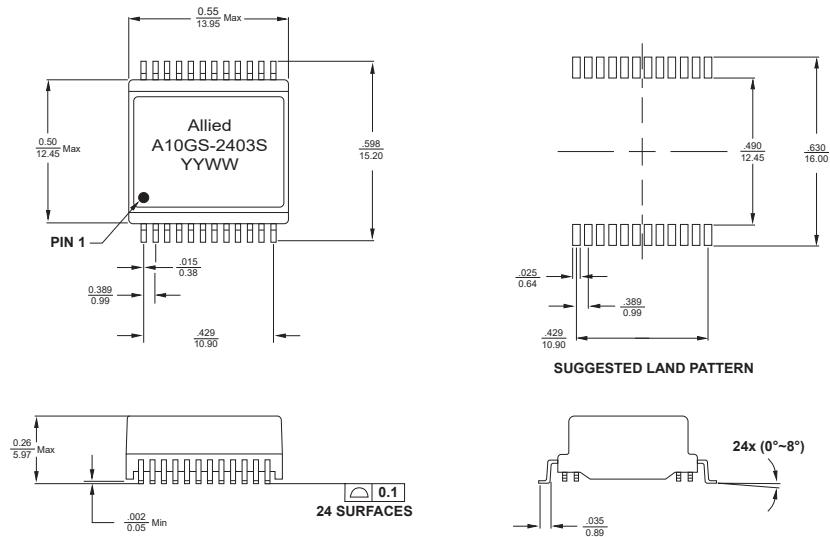
Electrical Specifications @ 25°C

Insertion Loss (dB Max)			DCMR (dB Min)		Cross Talk (dB Min)		Isolation Hi-Pot (Vrms)
100KHz	1-400MHz	400-500MHz	1-250MHz	250-500MHz	1-100MHz	100-500MHz	
-3.0	-1.5	-3.0	-30	-22	-40	-30	1500

All specifications subject to change without notice.

MECHANICAL

DIMENSIONS: $\frac{\text{inch}}{\text{mm}}$



SCHEMATICS

Unless otherwise specified, all tolerance are ± 0.25mm

