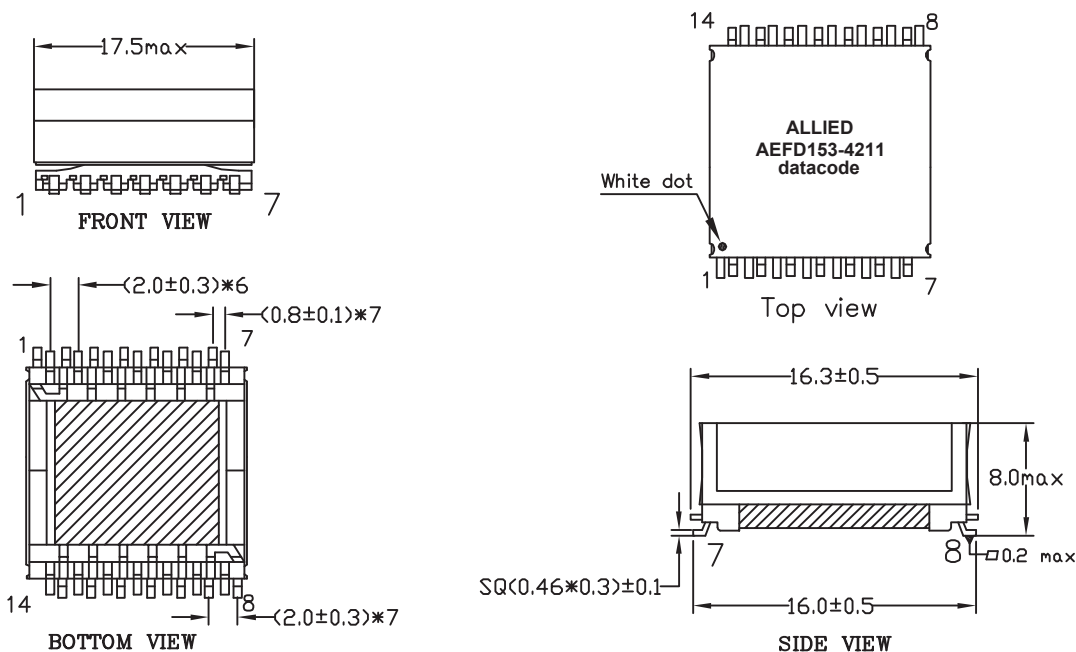


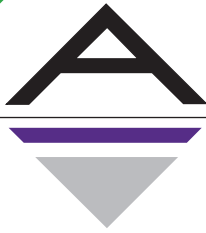
- SMD Low Profile Transformer
- EFD15.3 Design
- Built to meet UL Class B 130 File Number E349541

Primary Electrical Specifications @ 25°C					
S - F	INDUCTANCE 100KHZ, 0.2VRMS, 25°C	LEAKAGE INDUCTANCE 100KHZ, 0.2VRMS, 25°C (SHORT PINS)	DCR 25°C (Max)	TURN RATIO	
1 - 14	235uH ± 10%	—	0.52 Ohm	32Ts	
Secondary Electrical Specifications @ 25°C					
S - F	INDUCTANCE F= KHZ, VRMS, 25°C	LEAKAGE INDUCTANCE F= HZ, VRMS, 25°C	DCR 25°C (Max)	TURN RATIO	
3 - 12	—	—	.27 Ohm	14Ts	
12 - 11	—	—	1.10 Ohm	14Ts	
5 - 7	—	—	2.60 Ohm	33Ts	
9 - 8	—	—	1.20 Ohm	14Ts	
Hi - Pot / Insulation Resistance					
LOCAT. \ DESC.	PRI-PRI	PRI-SEC	SEC-SEC	PRI-CORE	SEC-CORE
HI-POT (50Hz/60Hz)	—	1500VAC 5mA, 2SEC	1000VAC 5mA, 2SEC	—	—
INSULATION RESISTANCE	—	500VAC 100, MOhm min	500VAC 100, MOhm min	—	—

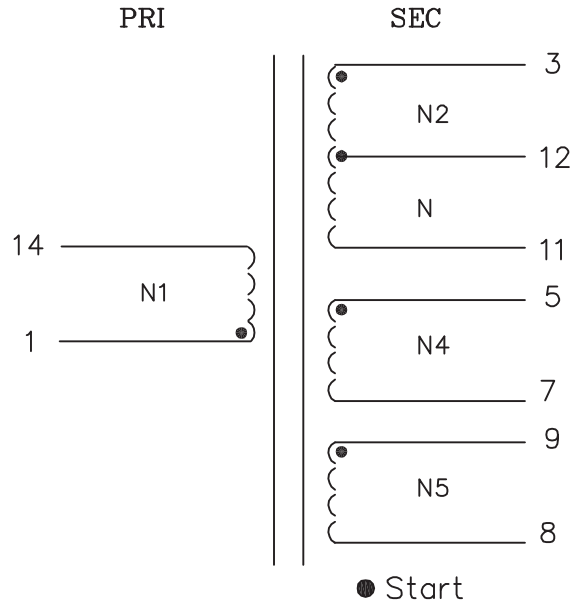
All specifications subject to change without notice.

MECHANICAL





SCHEMATIC



CONSTRUCTION

