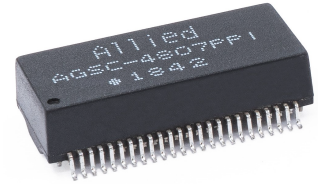


100/1000 Base T Gigabit PoE++

AGSC-4807PPI

- PoE++ application with 1400mA Current.
- Designed to meet IEEE802.3bt
- Operating Temperature Range: -40°C to +85°C



Electrical Specifications @ 25°C

OCL(μH Min) @ 100kHz, 0.2V With 8mA DC Bias	Turns Ratio (±5%)	Insertion Loss (dB Max)	Crosstalk (dB Min)		
			30MHz	60MHz	100MHz
350	1CT:1CT	-1.0	-40	-35	-30

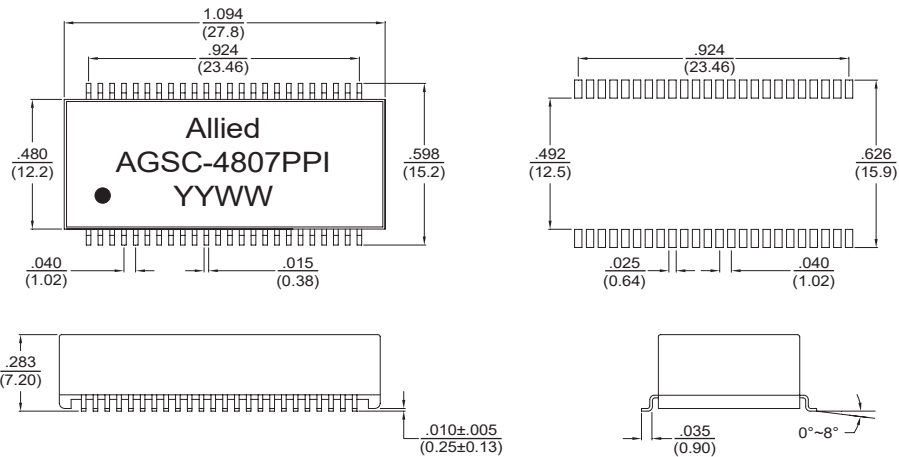
Electrical Specifications @ 25°C

Return Loss (100Ω±15%) (dB Min)		Common Mode Rejection (dB Min)			HI-POT (Vrms)
1-40MHz	40-100MHz	30MHz	60MHz	100MHz	
-16	-10+20log10(f/80MHz)	-40	-35	-30	1500

All specifications subject to change without notice.

MECHANICAL

Dimensions: $\frac{\text{inch}}{\text{mm}}$



Unless otherwise specified, all tolerances are ±0.010(0.25)

SCHEMATIC

