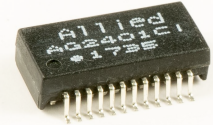


- Ethernet based LAN, WAN and other networking applications
- LL: 0.5μH Max @ 100KHz, 200mV
- DCR: 1.4Ω Max
- Cw/w: 25PF TYP @ 100KHz, 200mV
- Operating Temp: -40°C to +85°C



Electrical Specifications @ 25°C

Part Number	OCL(μH Min) @ 100kHz, 0.2V With 8mA DC Bias	Turns Ratio chip: cable (±5%)	Insertion Loss (dB Max)	Return Loss (dB Min)				
				1.0-100MHz	1.0-30MHz	40MHz	50MHz	60-80MHz
AG2401CI	350	1CT:1CT	-1.0	-18	-14.4	-13.1	-12	-10

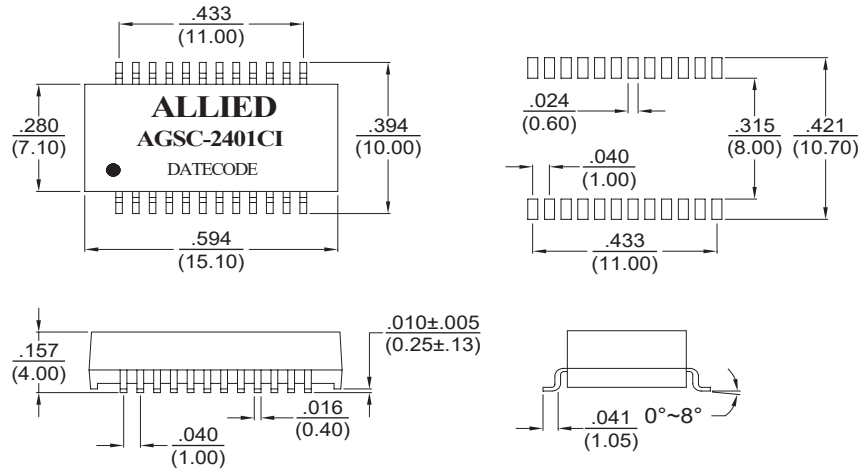
Electrical Specifications @ 25°C

Part Number	Common Mode Rejection (dB Min)			Cross Talk (dB Min)			Isolation HI-POT (Vrms)
	30MHz	60MHz	100MHz	30MHz	60MHz	100MHz	
AG2401CI	-40	-35	-30	-45	-40	-35	1500

All specifications subject to change without notice.

MECHANICAL

Dimensions: inch
(mm)



Unless otherwise specified, all tolerances are ±0.010(0.25)

SCHEMATICS

