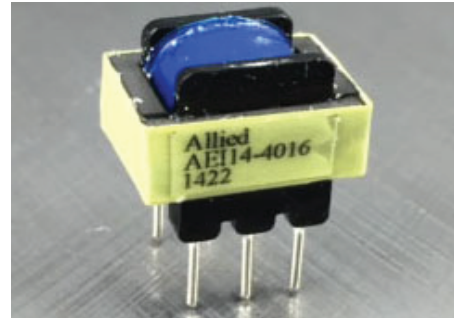
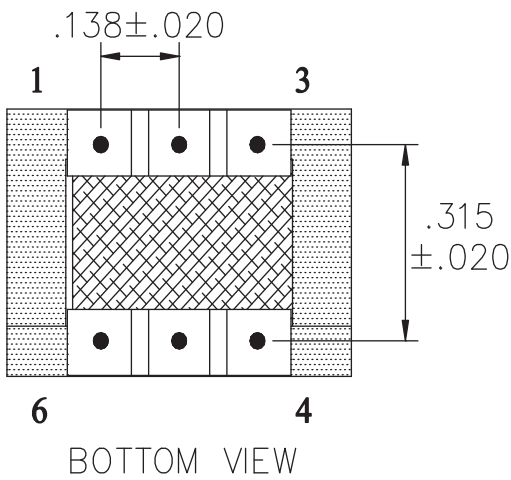
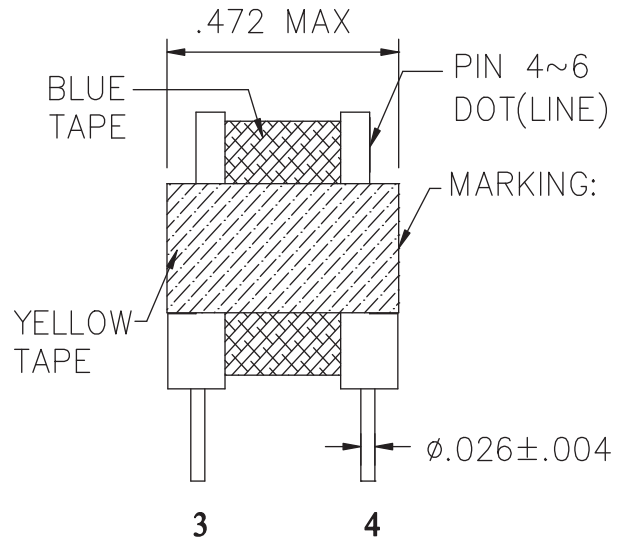
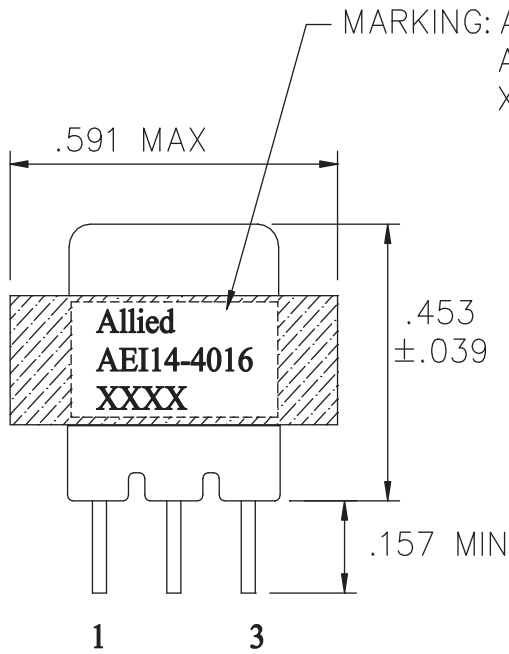


EI14 Audio Transformer

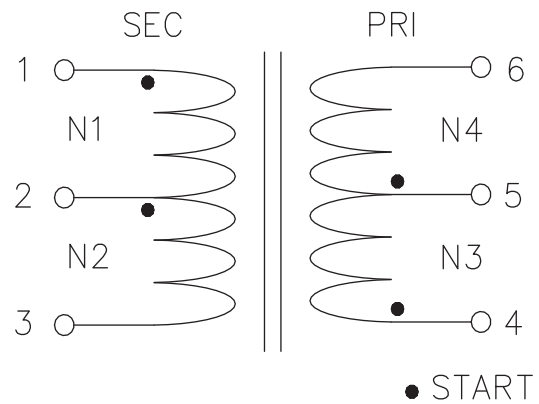
AEI14-4016

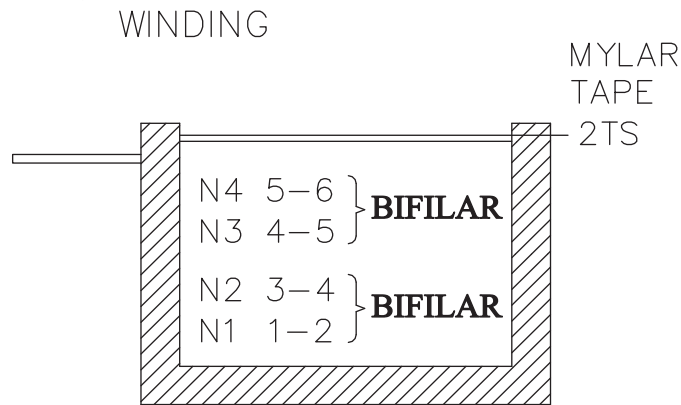


DIMENSION:UNIT: inch



SCHEMATIC





NOTE:

1. PIN 4~6 DOT(LINE)..
2. CORE FIX TAPE 2TS

ELECTRICAL SPECIFICATIONS: ALL TEST@25°C

1. IMPEDANCE : 1KHz/0.25V (CH-100)

1 - 3 : 8 Ω LOAD

4 - 6 : 1.2 KΩ ±10%

2. DCR: CH-502A @25°C

1 - 3 : 1 Ω ±15%.

4 - 6 : 80 Ω ±15%.

3. HI-POT TEST :

PRI TO SEC : AC 100V 3mA FOR 1 MINUTE.

COIL TO CORE : AC 100V 3mA FOR 1 MINUTE.

4. INSULATION TEST:

PRI TO SEC & COIL TO CORE : 10 MOHM MIN BY DC 100V.

5. GAP : CORE 1:1 , NO GAP.

6. OPERATION TEMP RANGE : -20°C ~ +80°C including temp rise.

7. MAX OUTPUT : 75mW