



ERL35 Transformer

AERL35-4736



- ERL35 Package
- 14 Pin Through Hole Design
- Operating Temperature Range: -40°C to +125°C

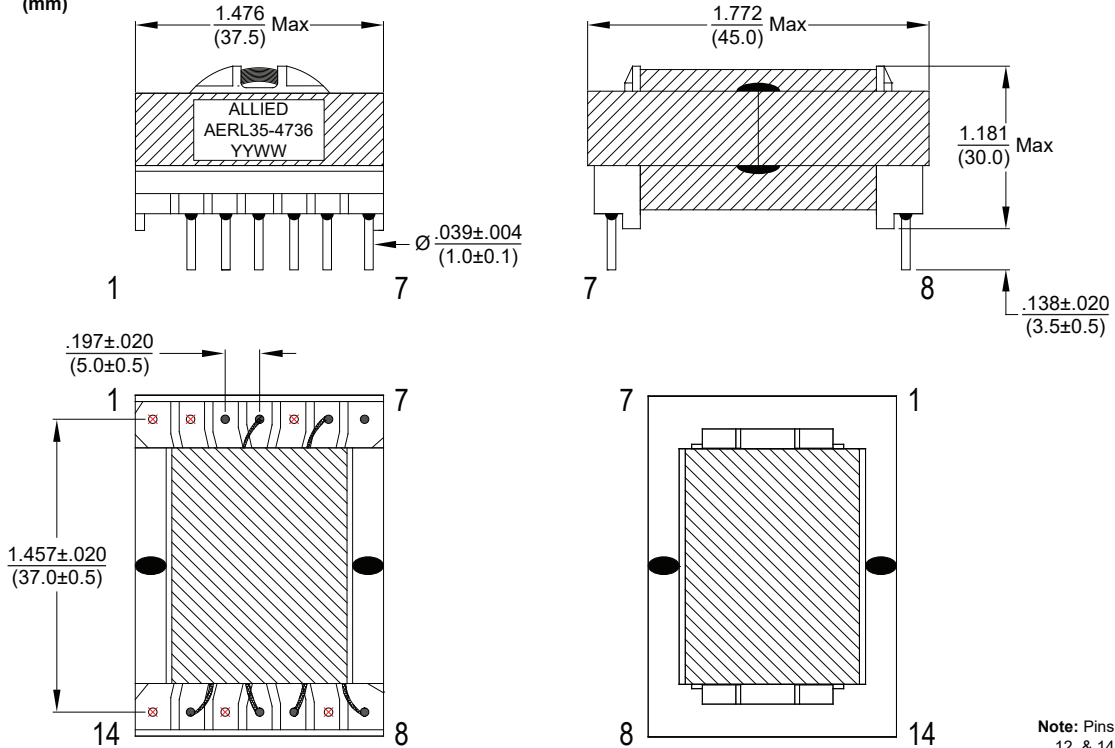
Electrical Specification @ 25°C

Inductance @100KHz, 0.1V	Leakage Inductance @100KHz, 0.1V	DCR (mΩ)		Turns Ratio	HiPot VAC / 5A / 60 Sec		
(4 - 6)	(4-6) Short Sec.	(4 - 6)	(13 - 11)	(10 - 8)	(4-6):(13-11):(10-8)	Pri - Sec	Pri, Sec - Core
810μH ±10%	135μH ±10%	240 ±10%	10 Max	10 Max	17 : 1 : 1	3000	1000

All specifications subject to change without notice.

MECHANICAL

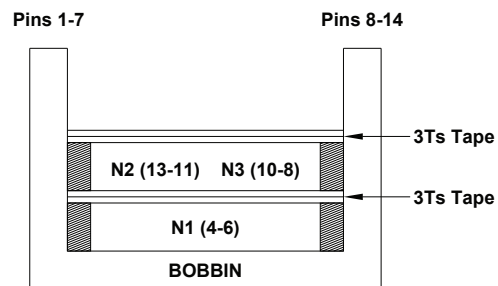
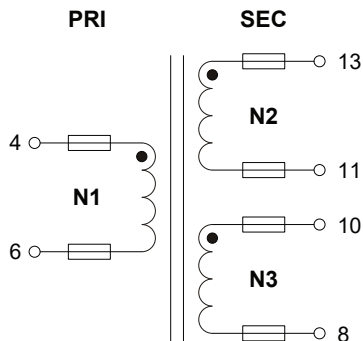
DIMENSIONS:  $\frac{\text{inch}}{\text{mm}}$



Note: Pins 1, 2, 5, 9, 12, & 14 removed.

SCHEMATICS

WINDING CONSTRUCTION



ACT 3MM