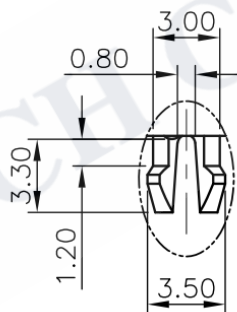
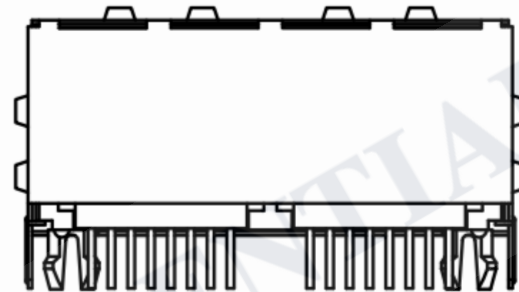
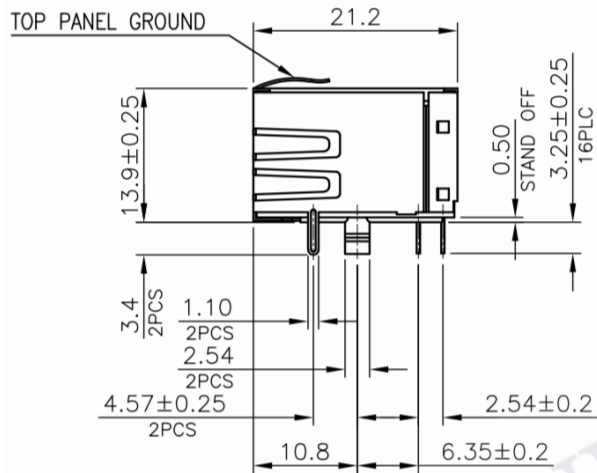
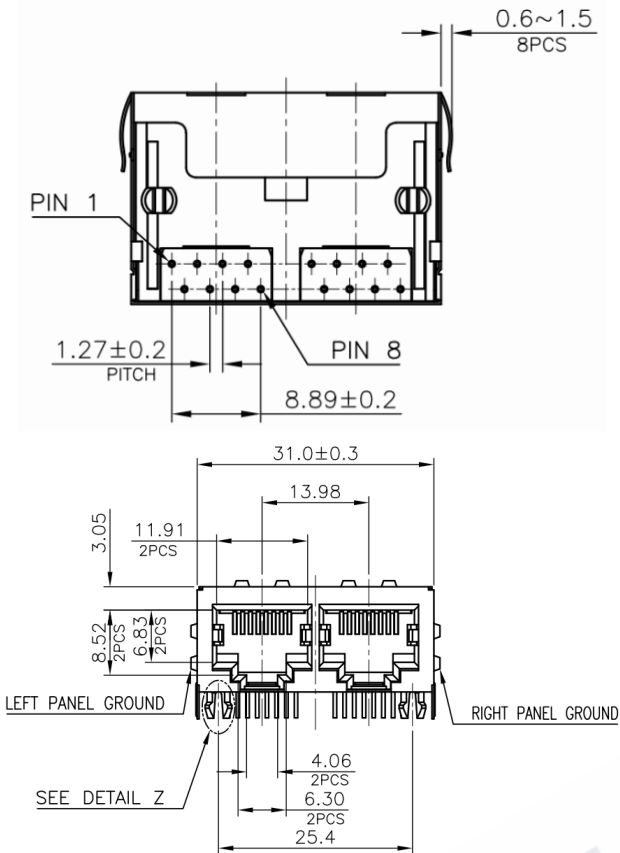
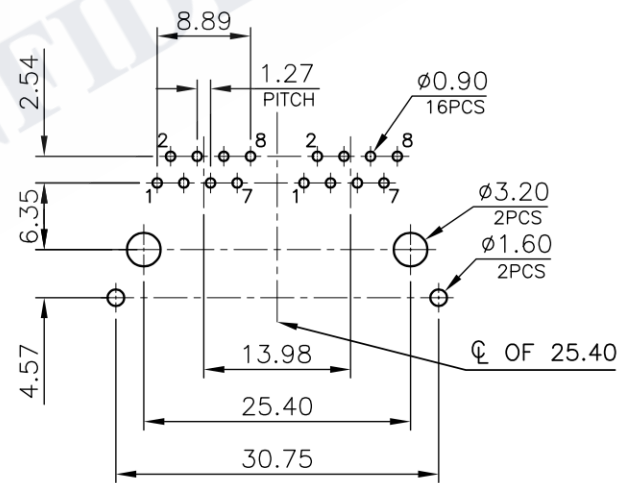


DESCRIPTION	DATE	APPD
	10/17/2009	



DETAIL Z
SCALE 2:1



RECOMMENDED PCB LAYOUT
PCB THICKNESS: 1.6mm
TOLERANCE: ±0.05mm (TOP VIEW)

NOTES:
CAVITY CONFIRMS TO FCC RULES AND REGULATION PART 68, SUBPART F.

1. CONNECTOR MATERIALS:
1.1 HOUSING & INSERT HOUSING: PBT, WITH GLASS FIBER, UL94V-0, STANDARD COLOR-BLACK
1.2 CONTACTS : PHOSPHOR BRONZE
1.3 SHELL: BRASS

2. FINISH:
2.1 CONTACT: 6µ" [0.152 µm] GOLD PLATED ON CONTACT AREA, GOLD FLASH ON SOLDER TAIL, 50µ" [1.27 µm] MIN. NICKEL UNDERPLATED OVERALL.
2.2 SHELL: 20µ" [0.508 µm] MIN. NICKEL PLATED.



X:X	±0.30	APPD: Jessie	TELEWIRE TECHNOLOGY CO., LIMITED
X:XX	±0.25	CHKD: Kevin	
X:XXX	±0.05	DR: Michael	1*2 RJ45 Connector without Integrated Magnetics, Flat Pin, Side Entry
ANGLES	±1°	UNIT: mm	PART NO. : TWE07699935341AA
	SCALE: 2/1	SHEET: 2/2	REV: A DWG NO. : TWE07699935341AA