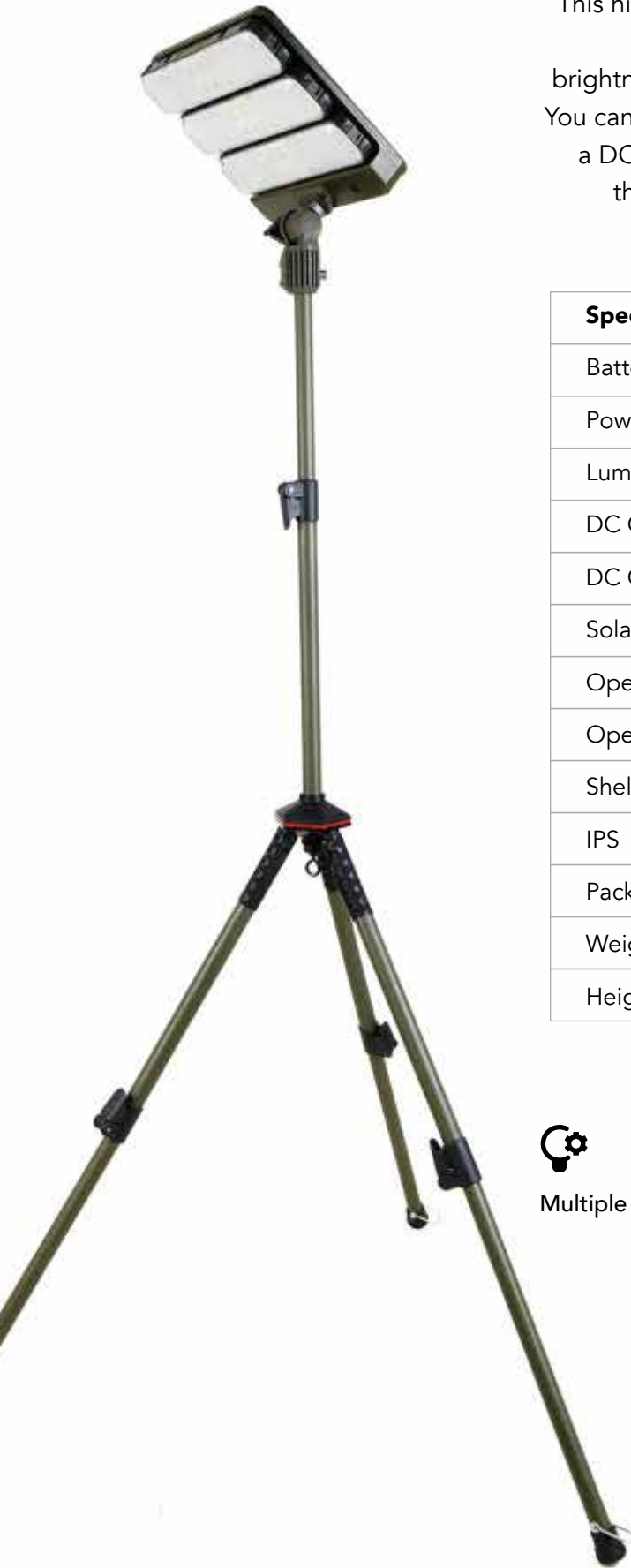


This high lumen work light will provide you up to 3500 lumens output & 3-12 hours of endurance depending on your brightness settings. It also supports different charging options. You can charge it either with the solar panels on top or through a DC 12 volt port. With the telescopic tripod, you can adjust the height up to 7 feet and change the angle of the light.



Specifications	
Battery Capacity	3.7V 5000mAh*3=15000mAH
Power	Single portable lamp 9W
Luminous Flux	1150lm*3=3450lm
DC Output	5V 1A
DC Charging time	7.5 hrs
Solar Charging time	24 hrs
Operating Temp	32°F~113°F
Operating Humidity	≤95%
Shell Material	Flame-retardant ABS
IPS	IP44
Packaging Size	28.3 x 7 x 14.9 Inches
Weight	18.7 Lbs
Height (Adjustable)	4 to 7 Feet



Multiple Modes



Mosquito Repellence



Warning Mode

SKU: 990207

Model Number:
AVS-WORK-3M

Beyond Solar retains the right to modify or change product specifications without prior notice, as part of our ongoing commitment to improvement

Flexible Tripod Design

Flexible | Adjustable
Good Stability | Ideal for any terrain



Multiple Combination Modes



Multiple Charging Options



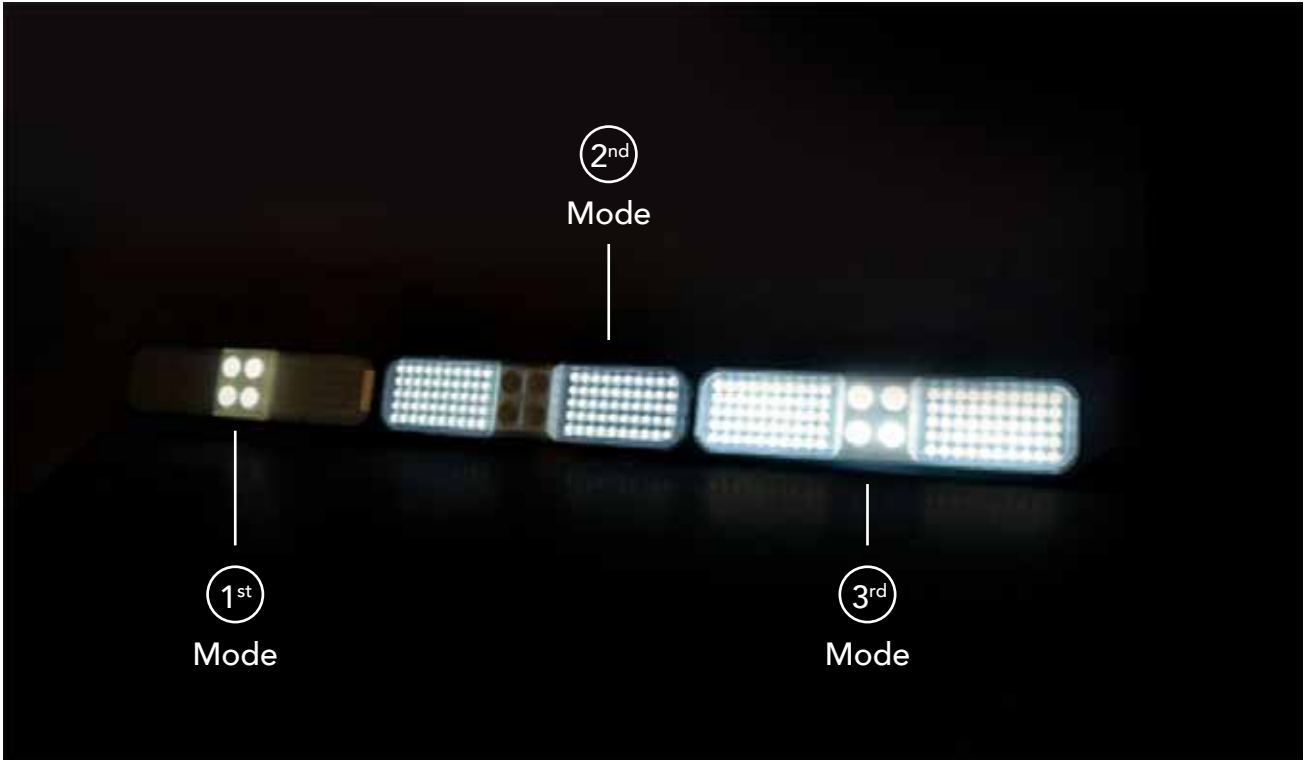
Solar Charging

AC/DC adapter /USB

Power Bank function



Multiple Lighting Modes



Additional Support



Built-in hooks & magnets for hanging & attaching to any metal surface.



Provision for sandbag & pegs to provide stability on slopes & rugged terrains.

Packaging



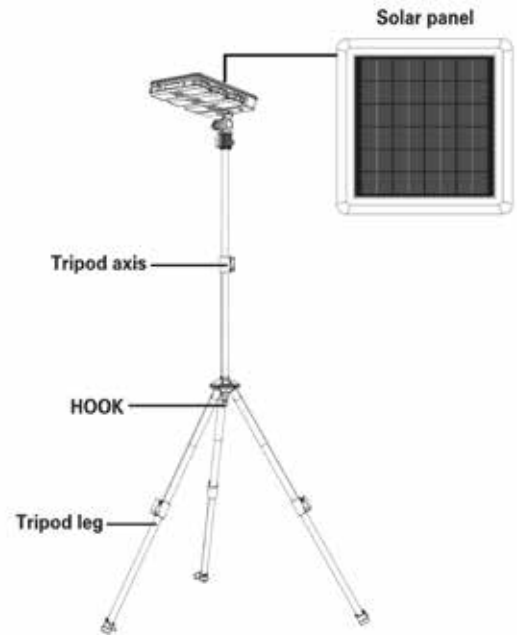
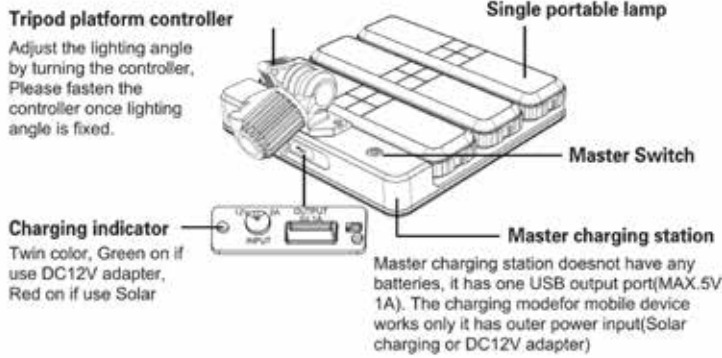
Recyclable Suitcase



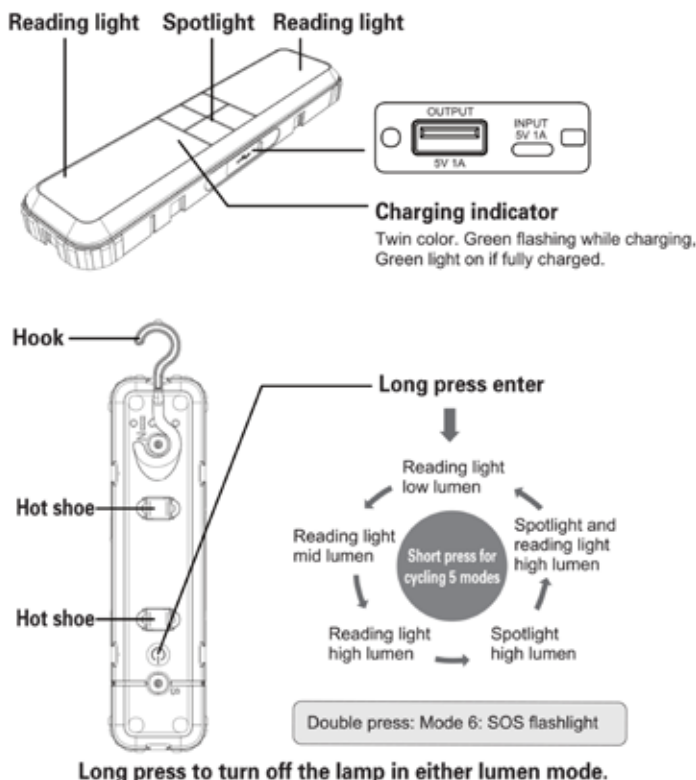
LEDs, Solar Panel & Tripod



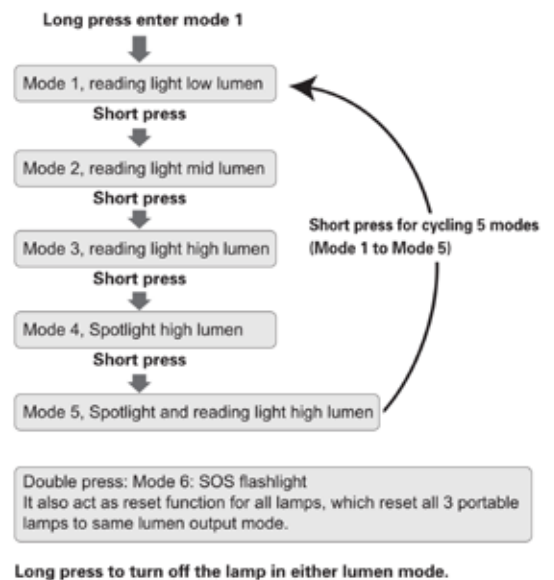
1. Illustration of Product:



2. Single portable lamp details:



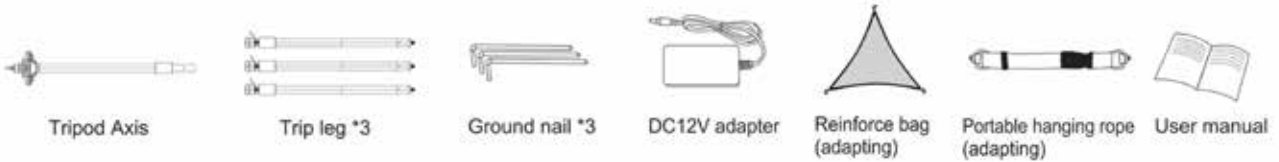
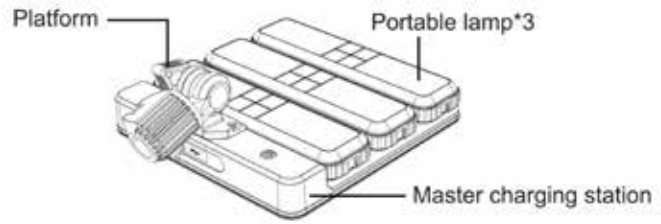
3. Operation of Master switch:



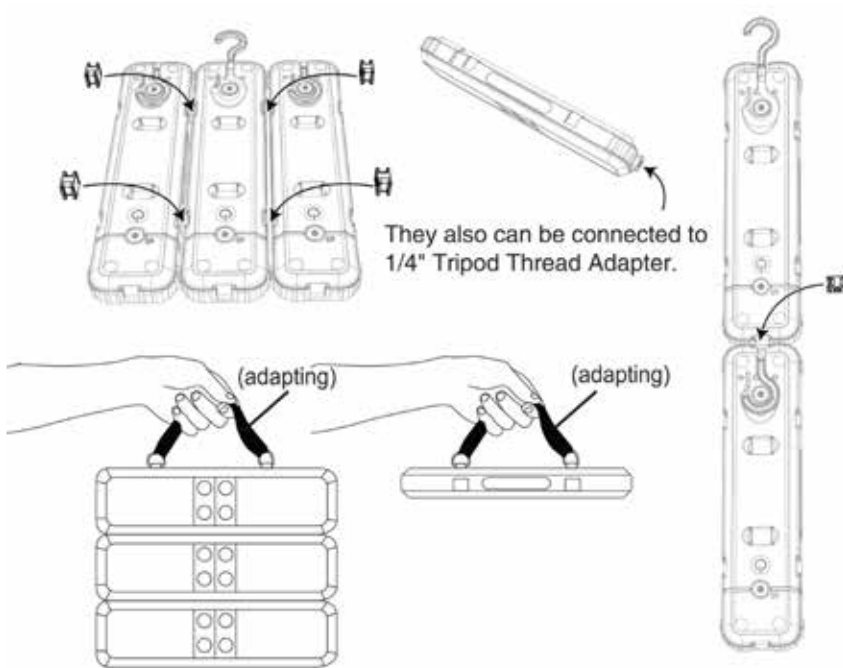
4. Charging method:

- 1.Portable light can be recharged in the master charging station.
- 2.DC12V adapter
- 3.Solar power charging, suitable for outdoor use
- 4.It has built-in micro-USB port for recharging, input rate DC5V,1A.

5. Accessories:



6. Functions and Applications:



1. Output:

The whole lamp's overall lumen output is around 3150lm, equipped with height adjustable tripod, it can provide lighting demand for massive area, such as working ground, camping, garden and party!

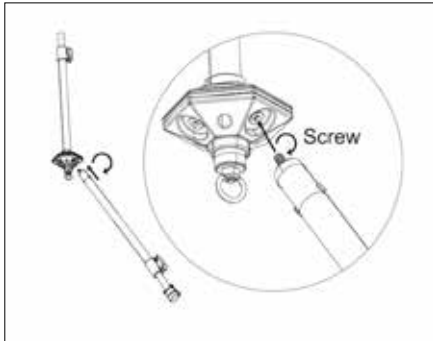
2. Powerbank

Each portable light has 5200mAh battery, it has 1 USB port for power output, rate DC5V 1A. Master charging station does not have any batteries, it has one USB output port (MAX.5V 1A). The charging mode for mobile device works only it has outer power input (Solar charging or DC12V adapter)

3. Working Light

All Portable light can be operated as solo working lamp, Each lamp can be connected as module light by hot shoe kit.

Installation



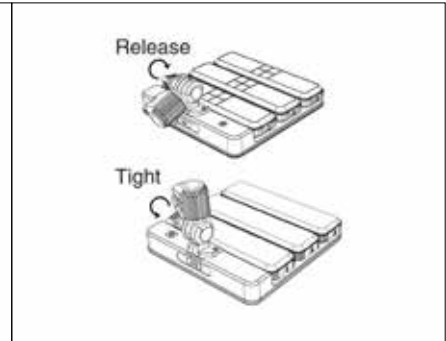
Step 1:

First assemble the tripod axis and legs. Please fasten the screw for safety.



Step 2:

Tripod installation completed.



Step 3:

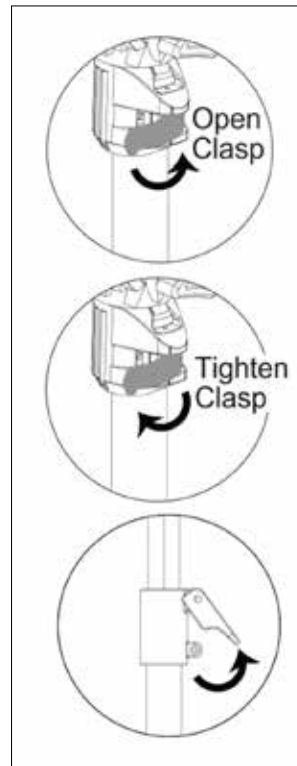
Adjust the lighting angle to ideal position, then fasten the platform controller.

Note: Please pay attention to the screw between Platform and Master charging station.



Step 4:

Nail them into ground or hanging sandbags/heavy items on hook of Tripod axis to reinforce tripod.



Step 5:

Adjust Tripod Height.

General precautions of the product :

- Please use the appropriate power supply, do not use chargers that are not matched.
- Be caution when in use of adjustable tripod. Please use sandbag and ground nail to reinforce tripod for avoding collapse.
- Please recharge the lamp every 3 month if not use for a long time.
- The waterproof cover for USB port shall be closed if not in use.
- Product contains Liquified Lithium-Ion battery, Please donot put this product into fire.
- Please recharge the lamp if lamp is flashing 12times per 1 minute in lowest reading mode which means the battery is running out.

Application

