

The VESTA Solar Wall Light is a cutting-edge, energy-efficient lighting solution designed to provide uniform, soft illumination for outdoor spaces. Featuring high-performance monocrystalline silicon solar panels, PIR (Passive Infrared) motion sensing, and multiple lighting modes, this wall light is perfect for outdoor lighting applications, including gardens, pathways, and building exteriors.

Specifications

Lumens..... 1000LM

Solar Panel

Power Monocrystalline silicon, 4.86V/ 1.5W

Li-ion battery

Capacity 3.7V 7.4WH

Charging / Discharging Temp 0~113 °F/ -4~140 °F

Charging Time 7H

LED 2835, 20pcs

CCT 4000K, Ra>70

Efficiency 160lm/W

Types of Lighting Anti-glare

Performance

Lighting Time in Rainy day >3 days

Core Technology ALS2.3

PIR..... 120°, 5m.Max

IP Class IP54

Install Height / Distance 8.2Ft

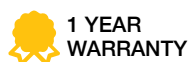
Material..... ABS + AS

Dimensions

Product Size 51*5.3 In

Weight 0.88 Lbs

Model Number..... VESTA SWL 26
SKU..... 790114



Beyond Solar retains the right to modify or change product specifications without prior notice, as part of our ongoing commitment to improvement.

The sphere glows evenly, the light is more uniform and soft.

Silicone Button. Four lighting mode selections, smooth transition of light without a steep drop.



Lighting Mode

M1: 25% till dawn
M2: 10%+ PIR (30S) till dawn
M3: 0% + PIR (30S) till dawn
M4: 100% till dawn

Indicator Light

Charging indicator: The red indicator light flashing.
Working indicator: The red indicator light is always on when turn on the light and discharging.
Mode switching: M1: Flash 1 time; M2: flash 2 times; M3: flash 3 times; M4: flash 4 times.

Switch

1. ON and OFF: long press for 1.5S
2. Short press to switch the lighting mode

Beyond Solar retains the right to modify or change product specifications without prior notice, as part of our ongoing commitment to improvement.

4 lighting modes to choose.

M1

25% till dawn



M2

10% + PIR (30s) till dawn



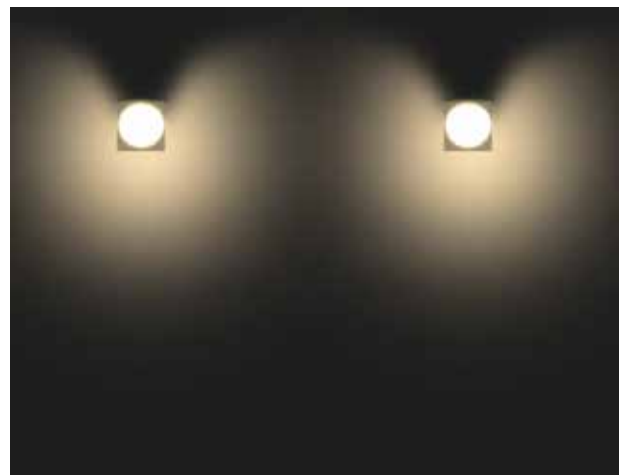
M3

0% + PIR (30s) till dawn



M4

100% till dawn



Beyond Solar retains the right to modify or change product specifications without prior notice, as part of our ongoing commitment to improvement.

Compatible with any building.

The unique spherical wall light with PIR in the market.



Monocrystalline silicon solar panel



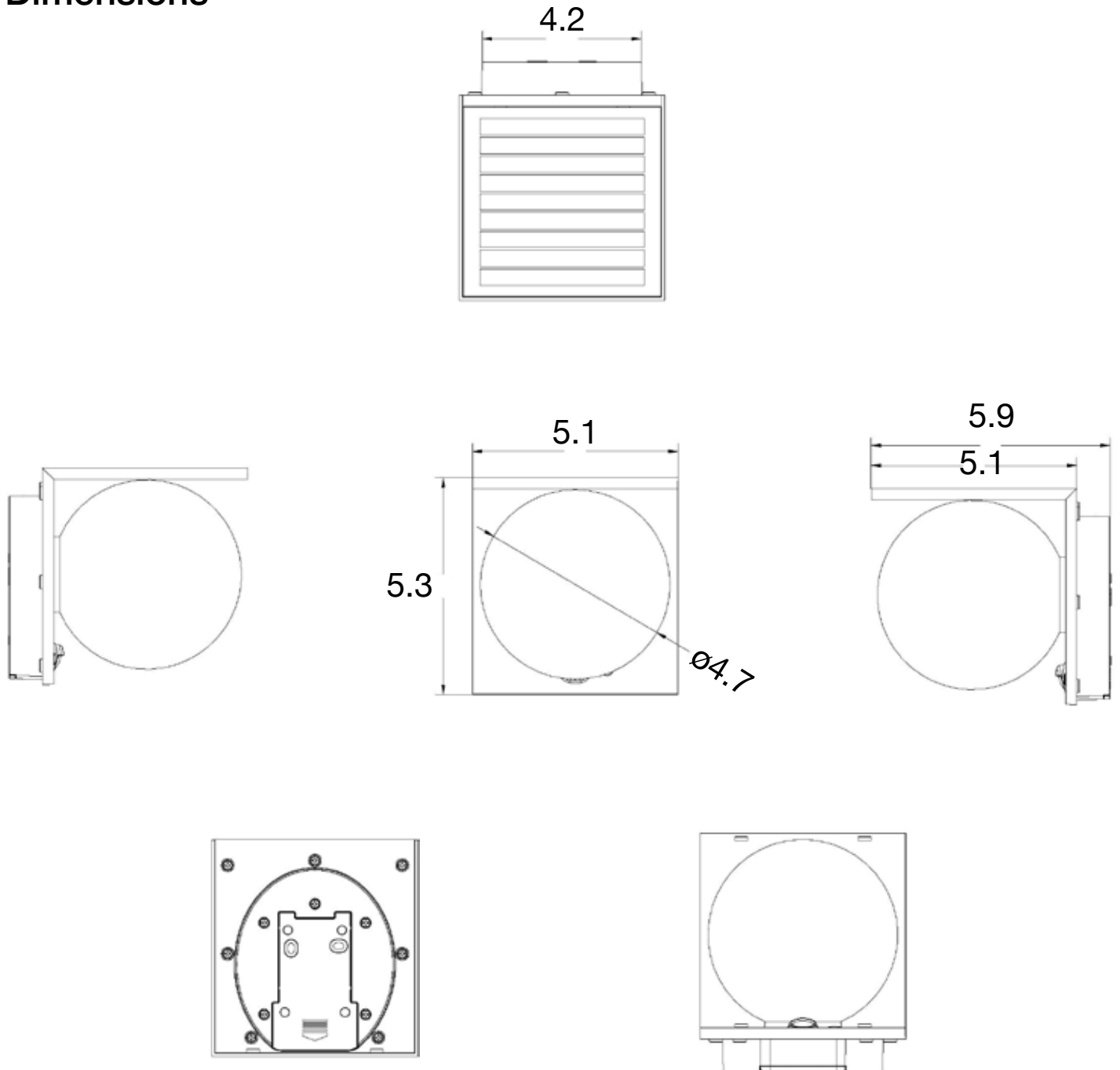
PIR: 120°, 5m.Max



High lumen LEDs 160lm/W

Beyond Solar retains the right to modify or change product specifications without prior notice, as part of our ongoing commitment to improvement.

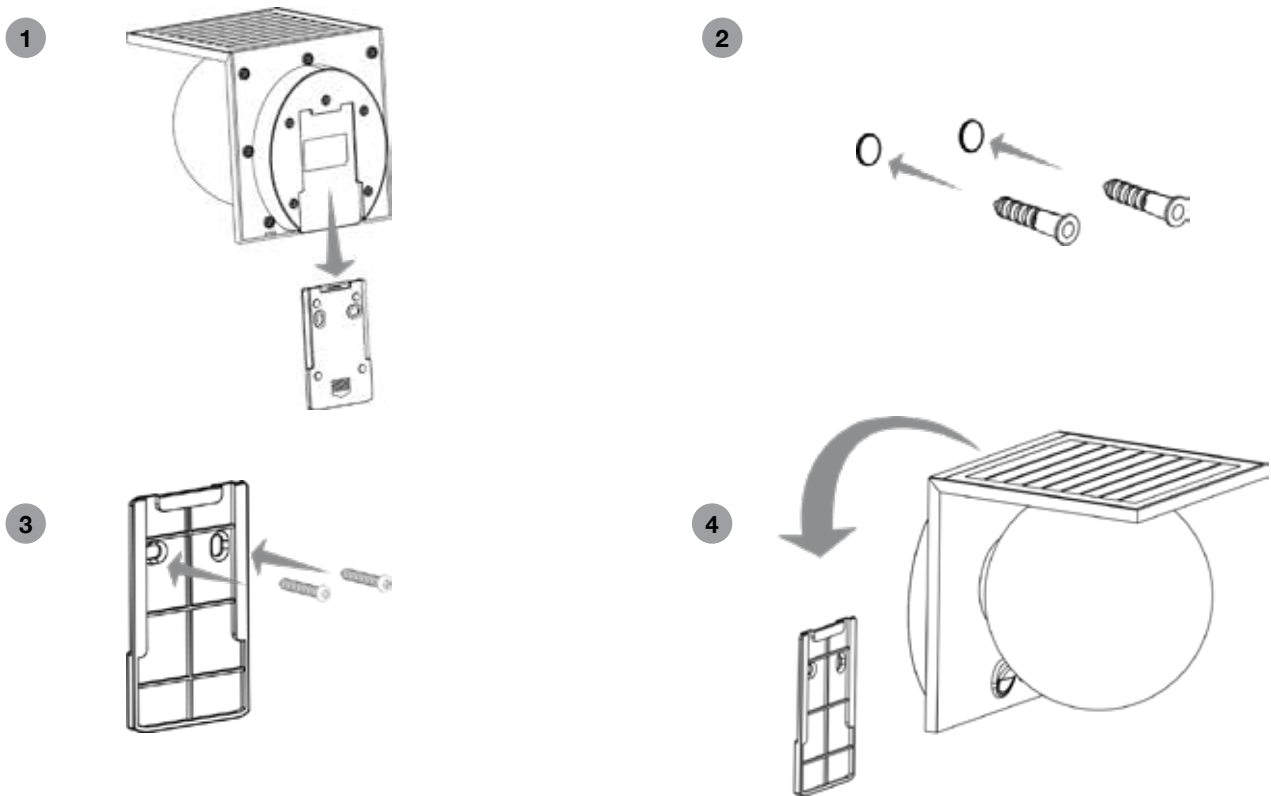
Dimensions



*All Dimensions are in Inches (in)

Beyond Solar retains the right to modify or change product specifications without prior notice, as part of our ongoing commitment to improvement.

Installation Instructions



Package



LAMP 1 PC
INSTRUCTIONS: 1 PC
SCREW: 1 SET



1 PC
/ 1 BOX



18 PCS
/ CARTON

PACKING METHOD	PCS/CTN	QTY(PCS)	CTN QTY	CARTON SIZE(IN)	N.W(LBS)	G.W(LBS)
Inner Box	1	1	1	5.6x5.3x6.3	0.85	1.1
Carton	18	18	1	17.7x16.9x13.5	15.4	22.2

Net weight and gross weight are for reference only

Beyond Solar retains the right to modify or change product specifications without prior notice, as part of our ongoing commitment to improvement.



Beyond Solar retains the right to modify or change product specifications without prior notice, as part of our ongoing commitment to improvement.