

TITAN

SOLAR BOLLARD-018

Solar-powered bollard lights are innovative outdoor lighting fixtures that harness solar energy to illuminate pathways, driveways, and outdoor spaces. These compact and stylish fixtures are equipped with built-in solar panels, which absorb sunlight during the day and convert it into electricity to power LED bulbs at night. Offering a sustainable and energy-efficient lighting solution, solar-powered bollard lights enhance safety and visibility while minimizing environmental impact. With easy installation and low maintenance requirements, these lights are an eco-friendly and cost-effective way to enhance both aesthetics and functionality in outdoor environments



NOMINAL FLUX **250 LUMENS**
 NOMINAL POWER **1.8 WATT**

LIGHTING

Efficiency **120 Lumens/Watt**
 Chips LED **PHILIPS Luxeon 30-30**
 LED Lifetime **Over 80000 hours LM80**
 Optics/CCT **T-V / 4000K to 5000K (Dual CCT Optional)**
 Installation Height **31.4 Inches**

BATTERY

Technology **Lithium Iron Phosphate LIFEPO4**
 Capacity **28Wh**
 Autonomy **Over 24 hours at full charge - 4 Rainy Days back up**
 Charging Time **6 hours**
 Lifespan **Over 3000 CYCLES @ 80% DOD over 10 years Lifetime**
 Working Temp **14°F to 158°F - (Optional -40°F TO 158°F)**

ENERGY

Solar Panel **4.5 Wc**
 Cells Type **Monocrystalline Panel Grade A 25 years**
 Certificates **IEC 61215 - IEC 61730 I and II - IEC 60904**

ELECTRONIC

Sensor **PIR 180° Sensor (Optional)**

DIMENSIONS

Product **D 8.26 x H 31.49 Inches**
 Carton Size **33.07 x 10.23 x 10.23 Inches**
 Weight **13.44 Lbs**
 Materials **Die Cast Aluminum**
 Installation **Insert on support**

Model Number **AVS-BL018**
SKU **787902**

Beyond Solar retains the right to modify or change product specifications without prior notice, as part of our ongoing commitment to improvement

Model #	SKU #	Installation Height	Power	Solar Panel	Lithium Battery	Lumens	CCT	IP Rating	Material
AVS-BL018	787902	31.4 In	1.8W	4.5Wc	4.5AH / 6.4V	250LM	4000K - 5000K	IP65	ALUMINUM



LUMINAIRE & LEDs

The TITAN Bollard 31.49" incorporates the latest LED technologies, its elegance and ease of installation will meet your lighting needs. TITAN is equipped with LED chips, combining performance and robustness with 120 lumens per watt.

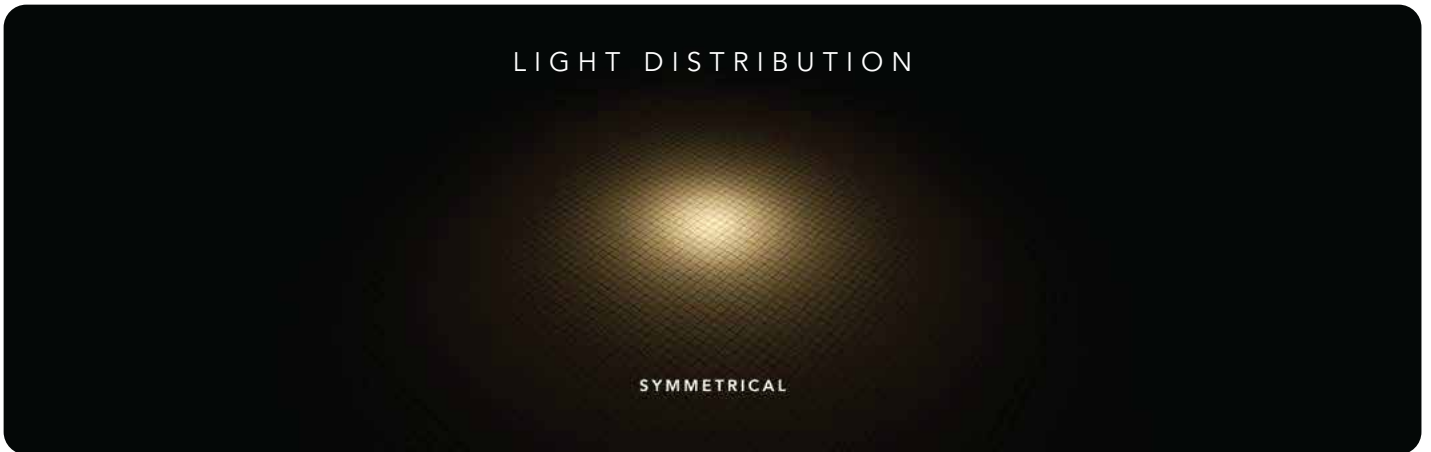
IP65



A TOTAL OF 250 LUMENS

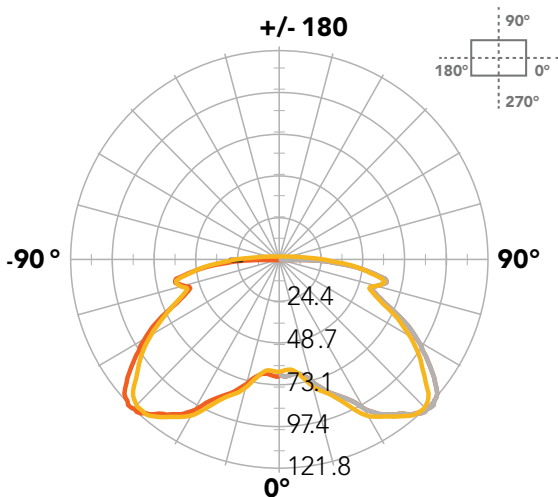
Our light fixture also complies with current standards concerning light pollution.

SYMMETRICAL DISTRIBUTION

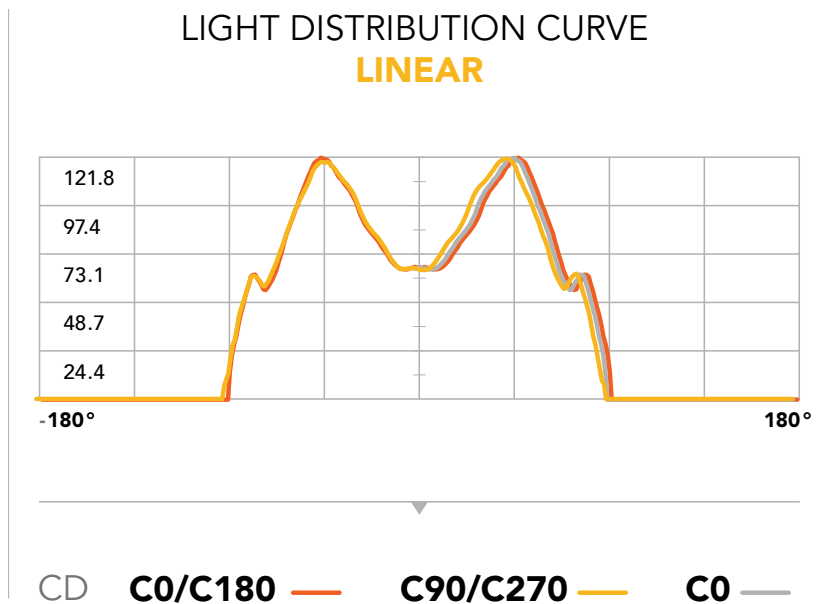


PHOTOMETRIC CURVE

LIGHT DISTRIBUTION CURVE
UNIT : CD



LIGHT DISTRIBUTION CURVE
LINEAR



CORRELATED COLOR TEMPERATURE

Warm White

Neutral White

Cool White



4000K

5000K

BATTERY LIFEP04

The TITAN bollard 31.49" is equipped with Lithium Iron Phosphate LIFEP04 batteries, recognized as the best battery technology in terms of longevity, safety, and performance for solar applications. Our batteries enjoy a lifespan of over 3000 cycles, which is more than 10 years at 80% DOD.

EXTREME TEMPERATURE 14F TO 158F

While standard batteries benefit from an operating temperature of 14F to 158F, Beyond Solar offers as optional a new Special LIFEP04 battery with working range of -40F to 158F

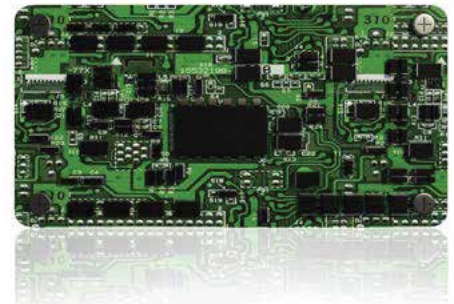


BMS ELECTRONIC PROTECTION BATTERY MANAGEMENT SYSTEM

Our batteries are equipped with electronic circuit boards for a higher protection, ensuring battery functioning optimization in any situation.

THE BMS PROTECTS AGAINST

- OVER/UNDER CURRENT
- OVERLOAD
- OVER/UNDER VOLTAGE
- OVER/UNDER CHARGE
- TEMPERATURE MANAGEMENT



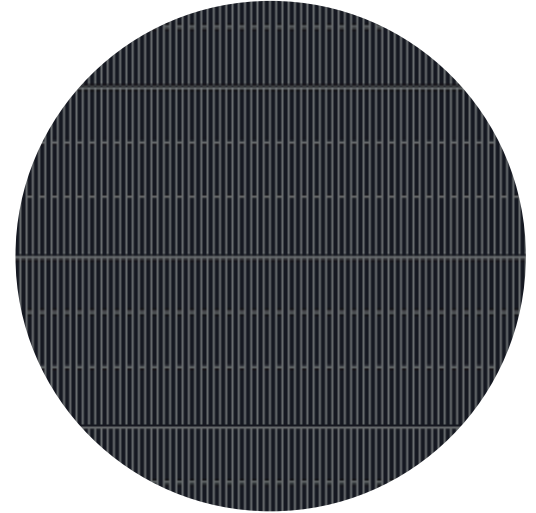
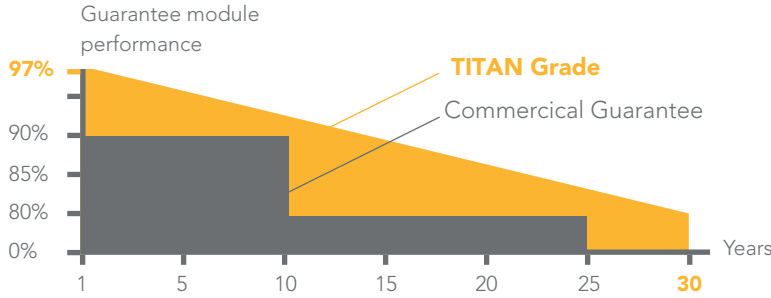
SOLAR PANEL

4.5 WATT

Encapsulated Monocrystalline Solar Panel **Grade A** Solar Cell with Tempered Glass.

Solar cells **GRADE A**

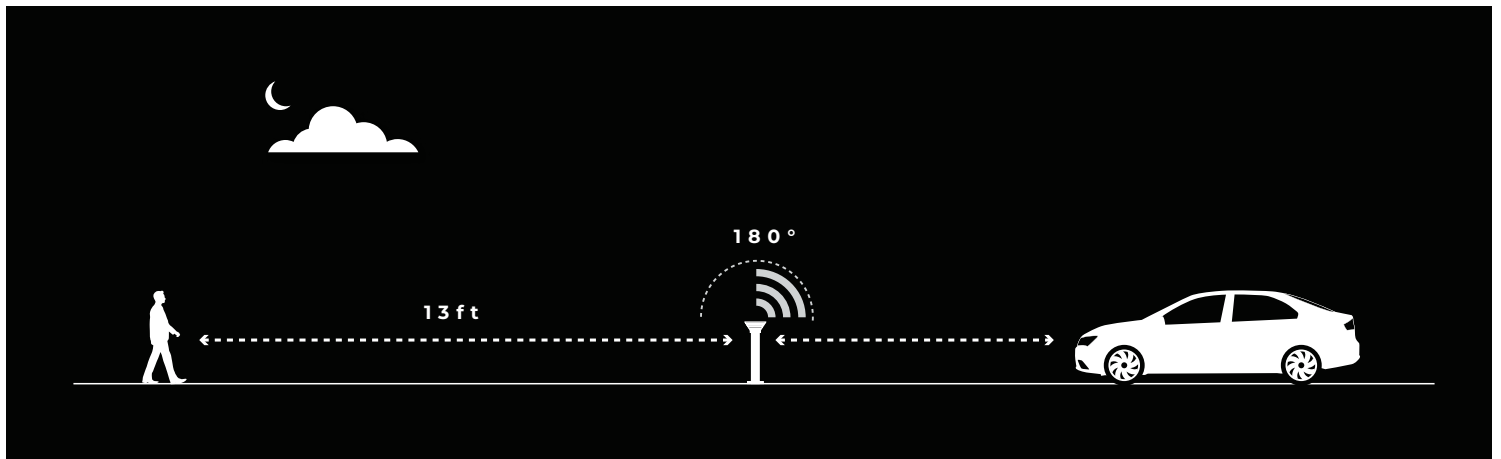
OUR PV PERFORMANCE GUARANTEE



PRESENCE DETECTOR INFRA-RED SENSOR

THE TITAN 31.49" BOLLARD AUTOMATICALLY TURNS ON AT DUSK AND OFF AT DAWN.

TITAN offers optional PIR movement sensor. The infra red detector integrated into the light fixture will increase the light power as pedestrians or vehicles pass, thus providing a higher level of safety while respecting the environment.



	Sunset	Night	Sunrise
Pr 1	14 h		
Pr 2	14 h		
Pr 3	14 h		

Depending on the geographical area, we will select the % of light reduction.

- Program 1** > 40% Dim + 100% ON during 20 sec
- Program 2** > 30% Dim + 100% ON during 20 sec
- Program 3** > 20% Dim + 100% ON during 20 sec



EASY INSTALLATION

NO CABLING • NO TRENCHING

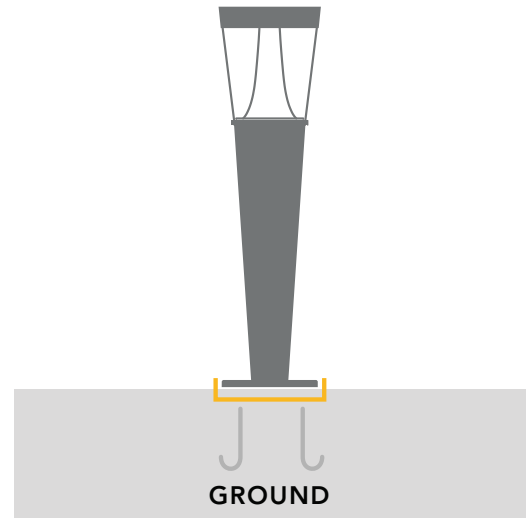
No wiring or trenching is necessary, you just need to embed the TITAN 31.49" on anchor rods.

To activate the bollard after installation, follow these steps:

- Locate the small rubber cap beneath the light.
- Pull back the rubber cap to reveal a button inside the hole.
- Use a long screw or Allen wrench to press the button.
- Cover the rubber cap back in place.

To test the bollard:

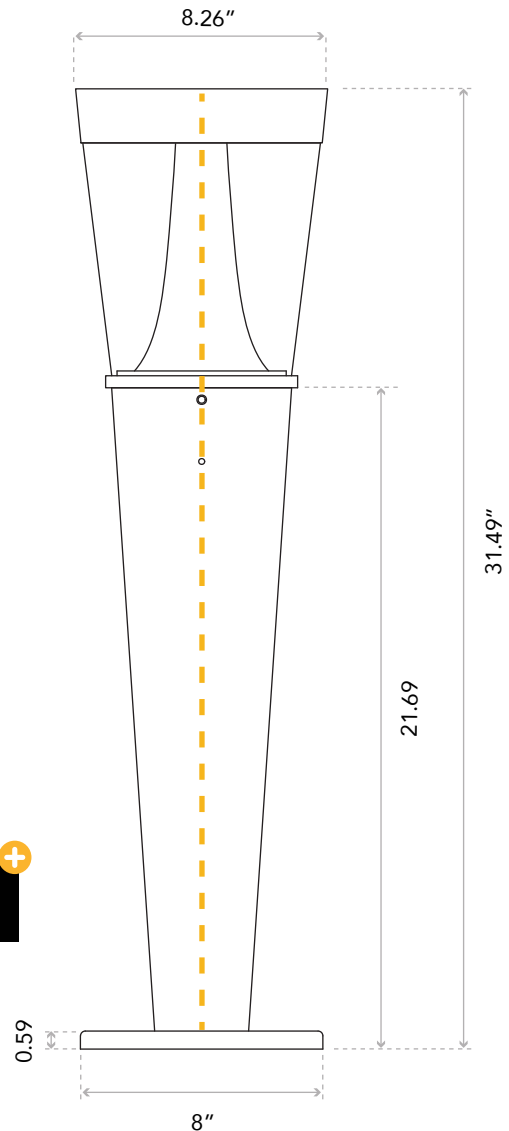
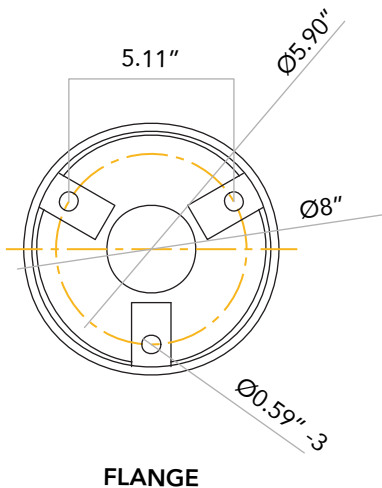
- Completely cover the solar panel with cardboard or a dark cloth.
- After waiting a few seconds, the light should illuminate.
- Your bollard is now activated, and it will automatically come on at dusk.



FLAT MOUNT

DIMENSIONS

All Dimensions Are In Inches



Installation Height
31.4 Inches



TITAN

SOLAR BOLLARD-018

