

MICU 300A-S/LF

Low Frequency (30-500kHz)

PLC COMPONENTS / INDUCTIVE COUPLERS



APPLICATIONS

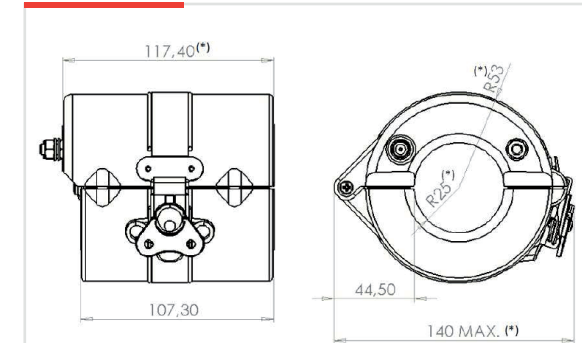
- › AMR (Automatic Meter Recording)
- › Automation of Electric Power Distribution System
- › Outdoors Bare Overhead Power Lines

01 CHARACTERISTICS

- › High current solution made with high permeability high performance materials avoid saturation problems at high currents
- › Low insertion losses 12dB±2dB (@100- 250kHz); 5dB±2dB (@250-600kHz)
- › More electrical safety: High insulation > 4.7 kV
- › Compact equipment: BNC connector integrated in the coupler (other connections available under request)
- › Water resistant (IP65)

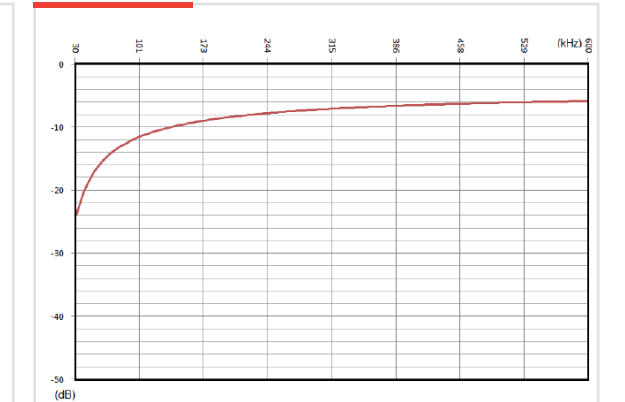
02 SPECIFICATIONS

DIMENSIONS (mm)



- › Tolerances unless specified: ±1,0mm
- › Critical dimensions (*)

ATTENUATION (DB) IN WORKING FREQUENCY RANGE



ELECTRICAL SPECIFICATIONS

Nominal current	300 A	PLC BAND
Rated Voltage	Only depends on the insulation level of the cable	EUROPE
Rated AC withstand voltage	Only depends on the insulation level of the cable	CENELEC B (95-125kHz)
Rated lightning withstand voltage (1.2/50s)	Only depends on the insulation level of the cable	CENELEC C (125-140kHz)
Partial discharge level at 1.2 U _N	Only depends on the insulation level of the cable	CENELEC D (140-148.5kHz)
Insulation resistance		USA
Transmission frequency range and attenuation	-12dB±2dB @100 to 250 kHz -5dB±2dB @250 to 600 kHz	FCC (10kHz-490kHz)
Nominal impedance	Coupling side: 20 to 50 Ω Equipment side: 50 Ω	
Average power in permanence	> +40 dBmW	
Harmonic distortion and intermodulation	< -60 dB	
Dielectric strength	>4.7kV	
Working temperature	-20°C to 60°C	
Storage temperature	-40°C to 85°C	
Weight	<2.5 kg	
Climatic category	25/100/21 according to IEC 60068-1	
Safety isolation	IEC 60950	
Normative	IEC 61869	