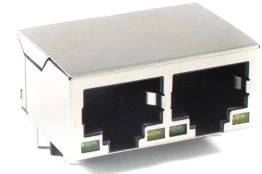


- 2.5G Base-T LAN, Ethernet and other Applications such as ADSL Modems, LAN-on-Motherboard (LOM), Hub and Switches
- Meets IEEE 802.3 Specifications
- Industrial Operating Temp: -40°C to +85°C



Electrical Specifications @ 25°C

OCL(μH Min) @ 100kHz, 0.1V	Turns Ratio (±2%) Pri : Sec	Return Loss (dB Min)		HI-POT (Vrms Min)
		1-40MHz	40-200MHz	
150	1CT : 1CT	-20	-20+15*LOG (f/40)	1500

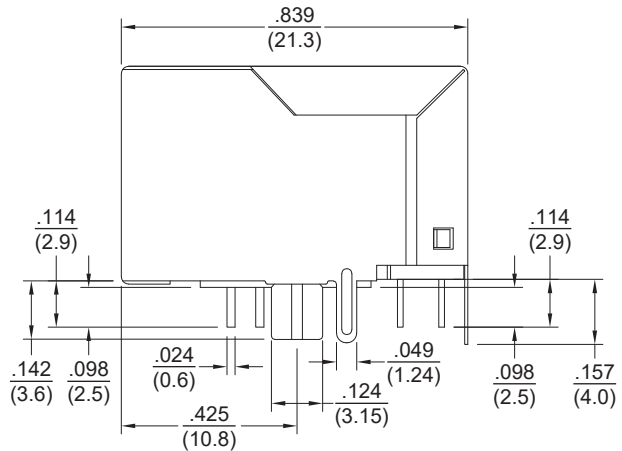
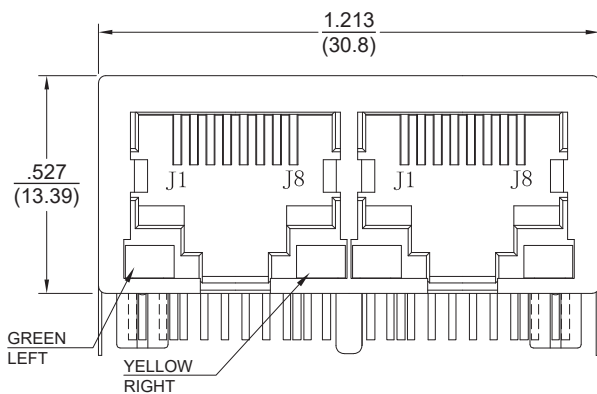
Electrical Specifications @ 25°C

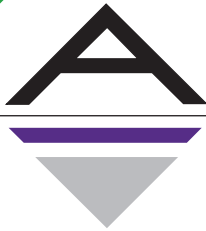
Insertion Loss (dB Max)		Cross Talk (dB Min)	Common Mode Rejection (dB Min)	Common to Diff Rejection (dB Min)
1-50MHz	50-125MHz	1-125MHz	30-200MHz	10-125MHz
-0.5	-1.0	-30	-30	-45+f/35

All specifications subject to change without notice.

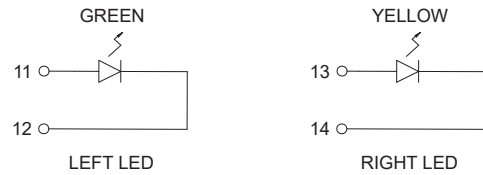
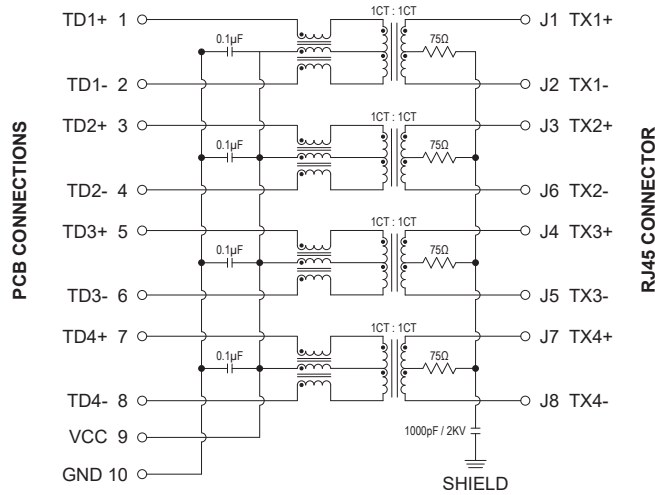
MECHANICAL

Dimensions: **inch**
(**mm**)



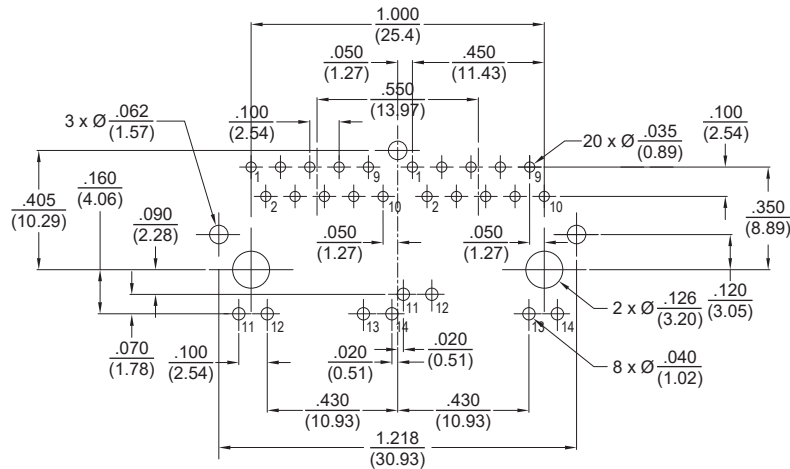


SCHEMATICS



Emitting Color	λ_p (nm)	VF@IF=20mA	IR@VR=5V
GREEN	565	1.8 - 2.6V	10µA Max
YELLOW	585	1.8 - 2.6V	10µA Max

PCB LAYOUT



NOTES

- Connector Materials:**
 Housing: Thermoplastic PBT+30%GF UL94V-0
 Contact: Phosphor Bronze C5210R-EH Thickness=0.35mm
 Pins: Brass C2680R-H Thickness = 0.35mm
 Shield: SUS 201-1/2H Thickness = 0.2mm
 Contact Plating: Gold 6µ" Min In Contact Area
- Wave Solder Peak Temp: 250°C, 5 Sec.**