

E-WATERBLOCK



The product image and contents are for reference only.

DESCRIPTION

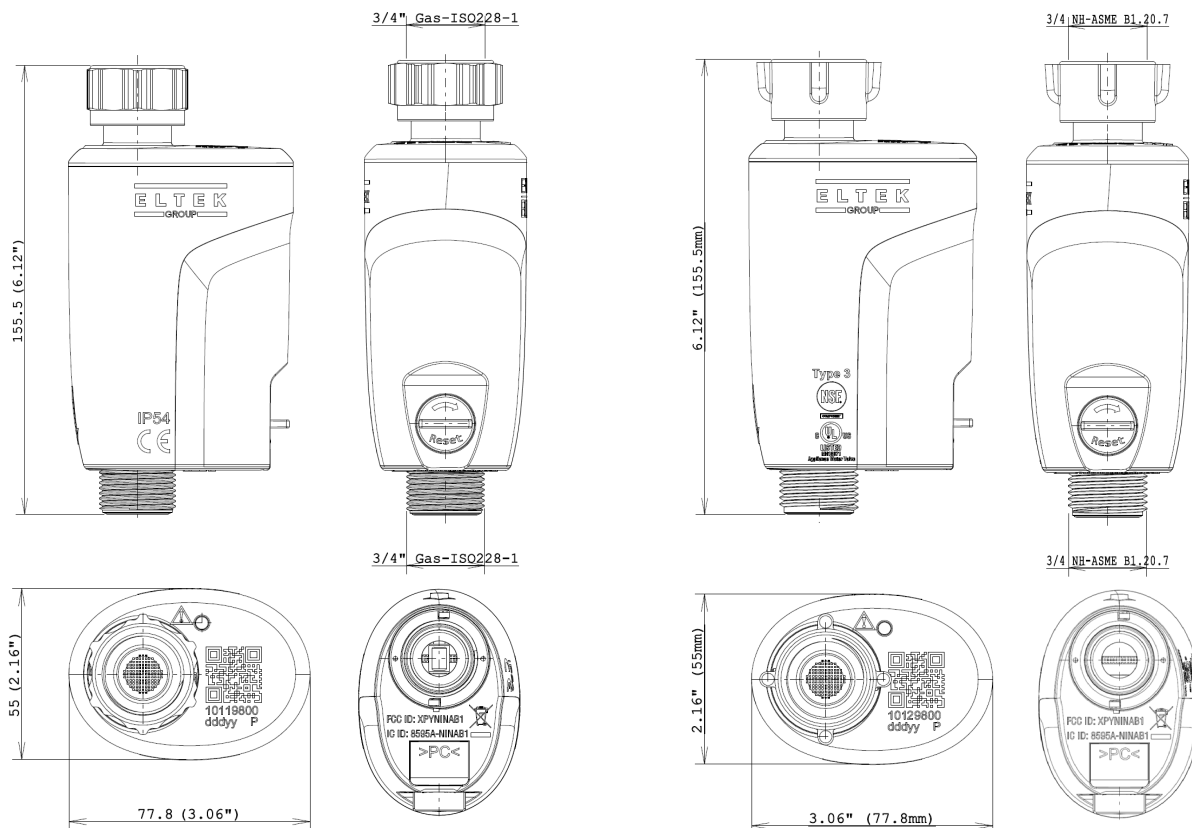
E-WATERBLOCK is a smart device which can detect micro leaks, pipe breaks, out of range and abnormal situations in water consumption. It prevents floods by closing pipe every time there's a flow anomaly. Once activated by an anomalous situation, the user can reset the device by turning the orange lever to make it ready to protect the location again. It doesn't need neither an internet connection nor a power connection. It uses Bluetooth technology for a wireless communication with the dedicated APP and it has an embedded long life battery to make it works for years. The ideal solution for offices or public places and professional activities characterized by presence of coffee and beverage dispensers, vending machines and water or ice systems, because it guarantees the maximum reliability and protection from damage independently from human control. E-WATERBLOCK is also suitable for: household appliances, dispensing units, water management systems, gardening; it is an antiflooding device.



www.waterblocksolutions.com

ELTEK
APPLIANCE





EU VERSION

USA VERSION*

*Inches

PART NUMBER EU VERSION: 101198
 PART NUMBER USA VERSION: 101298
 PART NAME: E-WATERBLOCK

TECHNICAL CHARACTERISTICS

- 3/4" gas female inlet, 3/4" gas male outlet
- Long life battery operated
- Can be mounted vertically or horizontally
- Operating ambient temperature 2° - 40° (36.5°F - 104°F)

E-WATERBLOCK EU version is approved: WRAS, ACS; and is compliant with: UBA, DM174, KTW.
 E-WATERBLOCK USA version is certified: NSF 169, UL, FCC



Data updated to 12/2025

	E-WATERBLOCK
Minimum flow	0.2 l/min 0.053 gpm*
Maximum flow	30 l/min 7.926 gpm*
Approved also for operation with hot water	✓
Relative humidity	30% - 95%
Water conductivity	from 100 microS/cm to 5000 microS/cm
Operating flow pressure	0.02 MPa - 1 MPa (0.2 - 10 bar)
Wireless connection	APP with Bluetooth®
Battery life time	> 3 years

* US gallons

COD. 15.7746.01.02



ELTEK S.p.A.
 Strada Valenza 5/A, 15033 Casale Monferrato (AL) T. +39 0142335511
 www.waterblocksolutions.com - info@waterblocksolutions.com