



# D62-041-30-DC L2 PRO Gigabit PoE Switch

## Quick Installation Guide

P/N: 5019059700

Model	Description
D62-041-30-DC	4xGbE 30W PoE + 1xGbE RJ45 + 2x24VDC output + 2x12VDC output w/ 12-48 VDC Input Managed Switch

### INTRODUCTION

The D62-041-30-DC is a 4 port 10/100/1000BaseT at PoE switch capable of feeding 15.4/30W (54Vmax. per port) power to Power over Ethernet (PoE) devices. It comes with another 1xGbE RJ45 port.

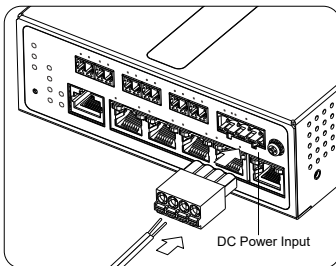
### PACKAGE CONTENTS

* 1x PoE switch	* 1x Quick Installation Guide	* 1x 4-pin terminal block
* 1x DB9F-RJ45 console cable	* 1x DIN rail bracket	* 6x 2-pin terminal block

### ⚠ IMPORTANT:

1. To prevent potential damage, ensure that all 12VDC, 24VDC, and Digital Input/Output (DI/DO) devices are properly connected before applying or turning on the DC input power. Connecting these devices after the power is on may result in malfunction or damage.
2. Install the converter in a ventilated and dry place that is free of electromagnetic source, vibration, moisture, and dust.
3. Make sure the ventilation openings on the converter are not blocked.
4. DC input (12~48VDC). Follow the printed polarity for V+, V-, and Ground.
5. Digital output : ON/OFF, support 5VDC/1A. Digital input: level 0(Low), level 1(High).

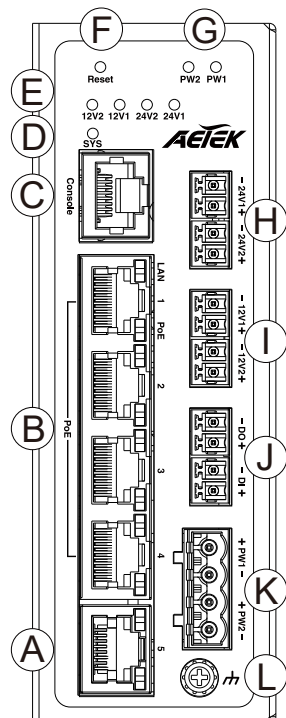
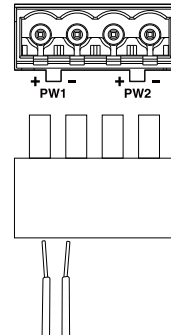
### CONNECTION



1. Pull out the 4-pin terminal block.
2. Connect power wires to V+, and V-.
3. Connect SFP transceivers to the fiber port.
4. install the 4-pin terminal block.

### DC Power Cable Spec.

Wire Size	12~24AWG
Wire Strip Length	10mm



- (A) 10/100/1000 RJ45 port
- (B) 10/100/1000 PoE RJ45 ports
- (C) Console port
- (D) SYS LED
- (E) 12V2 / 12V1 / 24V2 / 24V1 LED
- (F) Reset button
- (G) Power2 LED / Power1 LED
- (H) 24VDC output ports
- (I) 12VDC output ports
- (J) DI / DO ports
- (K) 12~48VDC Input
- (L) GND

DEFAULTS	
IP Address	192.168.1.1
Subnet Mask	255.255.255.0
User Name	admin
Password	admin

### Power LEDs

LED	Color	State	Description
Power1	Green	On	Powered on correctly.
		Off	Not receiving power from power1.
Power2	Green	On	Powered on correctly.
		Off	Not receiving power from power1.

### Console Port Defaults

Baud rate	115200
Stop bits	1
Data bits	8
Parity	N
Flow control	none

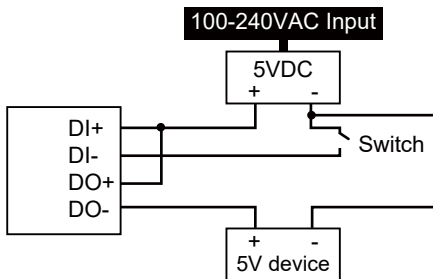
### Port Status LEDs

LED	Color	State	Description
RJ45 Ports Up (PoE)	Amber	On	The port is enabled and supplying power to connected device.
		Off	The port has no active connection, or it is not connected to a PoE PD device. Otherwise, the port may have been disabled through the switch user interface.
RJ45 Ports Down (LAN)	Green	On	The port is enabled and established a link to connected device.
		Blinking	The port is transmitting/receiving packets.
		Off	The port has no active network connection, or it has no established link to connected device. Otherwise, the port may have been disabled through the switch user interface.
SFP Ports	Green	On	The port is enabled and supplying power to connected device.
		Blinking	The port is transmitting/receiving packets.
		Off	The port has no active network connection, or it has no established link to connected device. Otherwise, the port may have been disabled through the switch user interface.

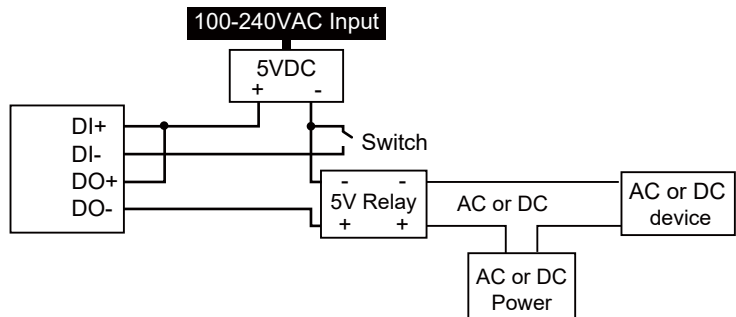
### Reset button

Task	Method	SYS LED Behavior	Port Status LED Behavior
Reset	Press 2 ~ 7 seconds	Blinking Green	All LEDs Off.
Restore Defaults	Press 7 ~ 12 seconds	Blinking Green	All LEDs On.

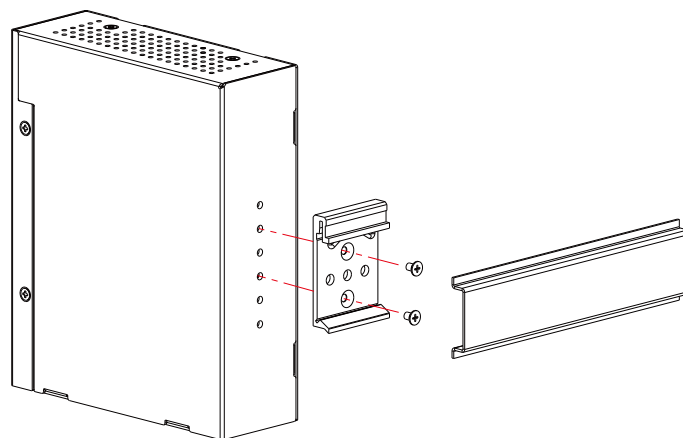
### DI/DO Connection Diagram



### DI/DO Connection Diagram w/ AC or DC Relay



### DIN Rail Installation



All specifications are subject to change without notice.  
Copyright © 2025 AETEK INC. All rights reserved.