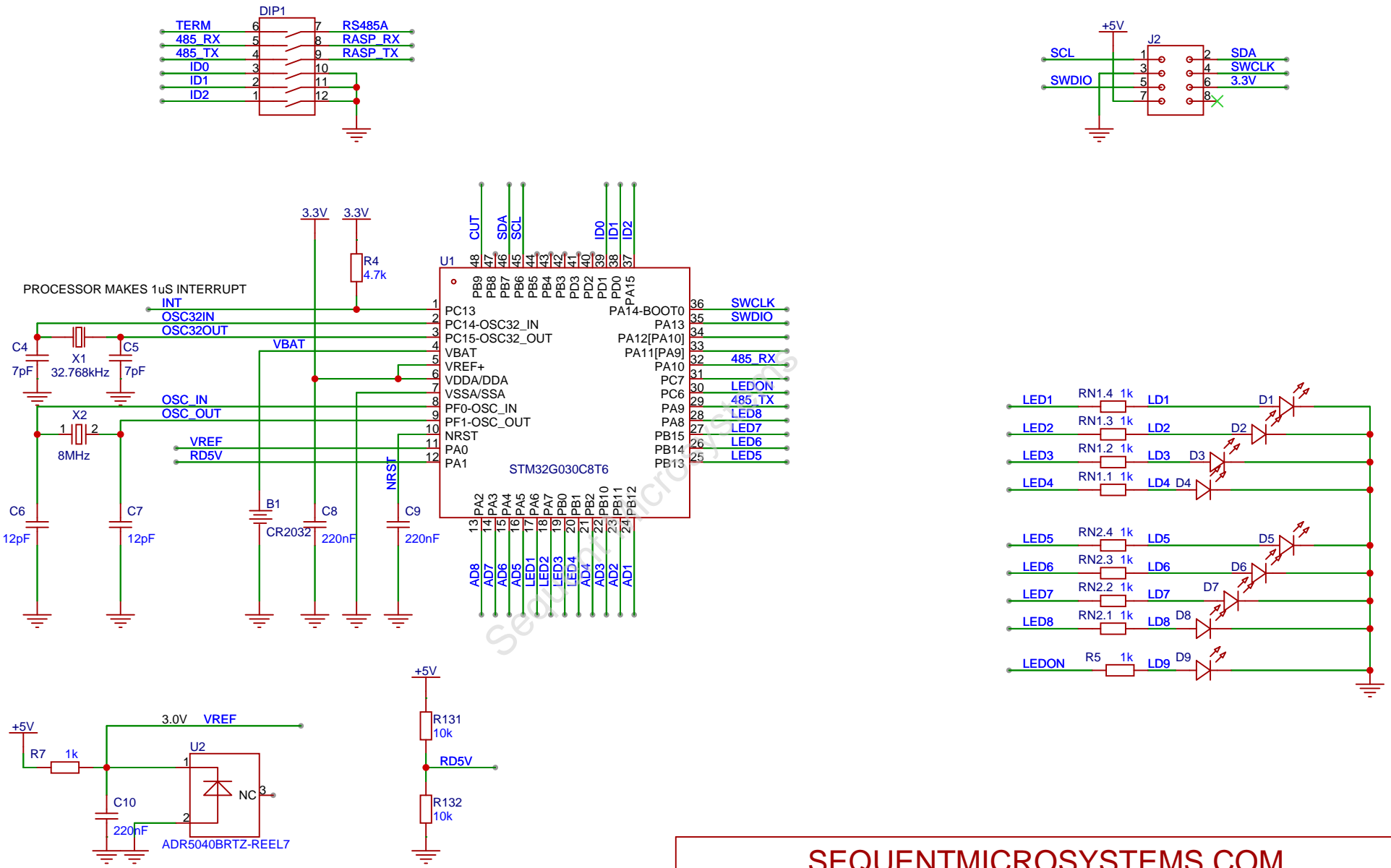


SEQUENTMICROSYSTEMS.COM

8-CRT-SENSE-V1	SKU : SM-I-032
CONNECTOR	VER : 1.0
Created: 2022-08-02	Updated: 2025-08-15
UPC : 4782912927052	PAGE 1 OF 6



SEQUENTMICROSYSTEMS.COM

8-CRT-SENSE-V1

SKU : SM-I-032

PROCESSOR

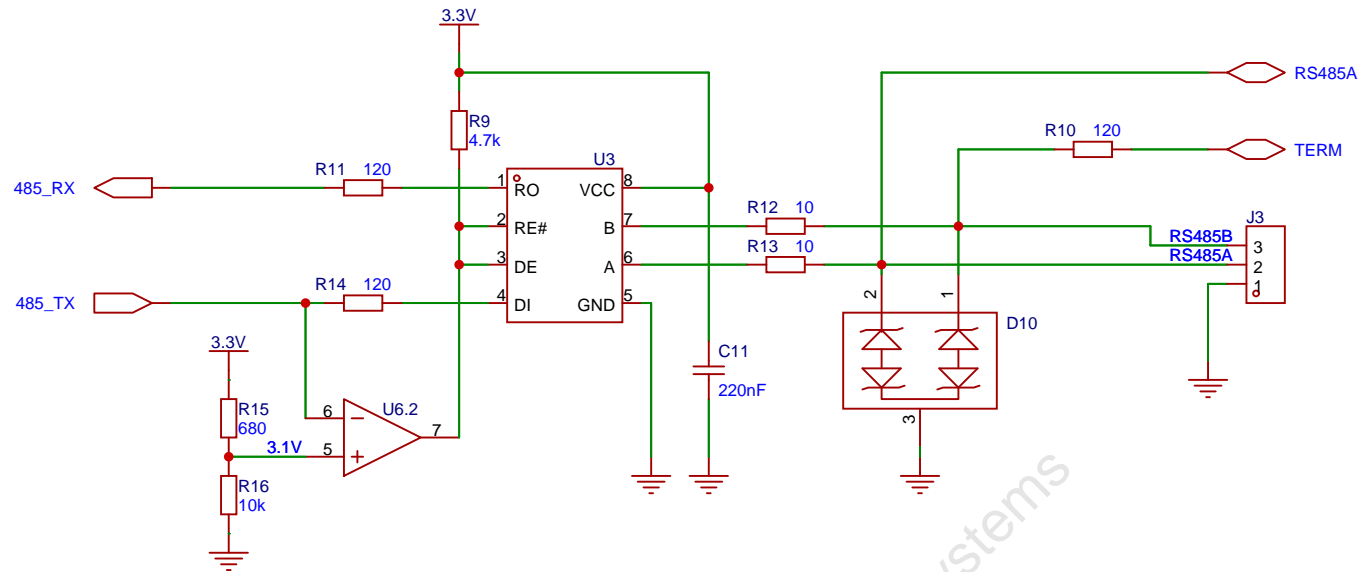
VER : 1.0

Created: 2022-08-01

Updated: 2025-03-29

UPC : 4782912927052

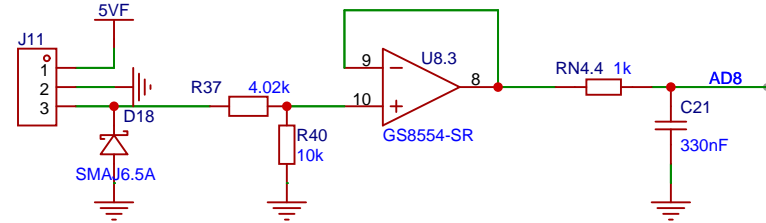
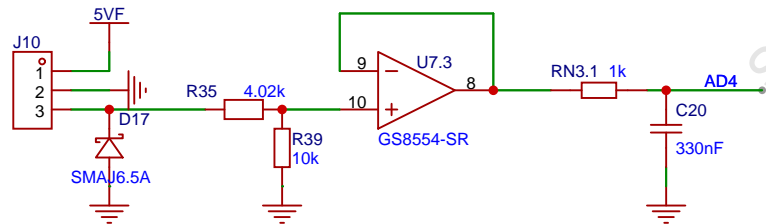
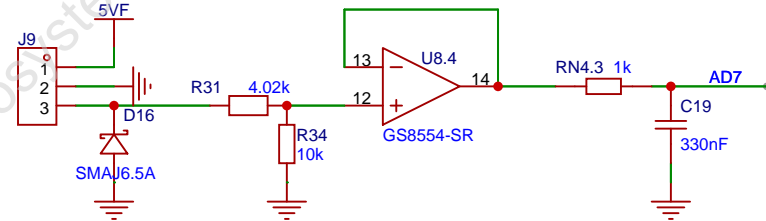
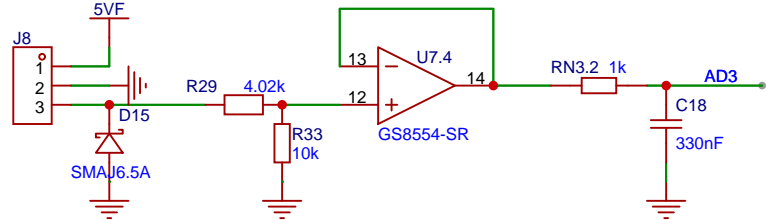
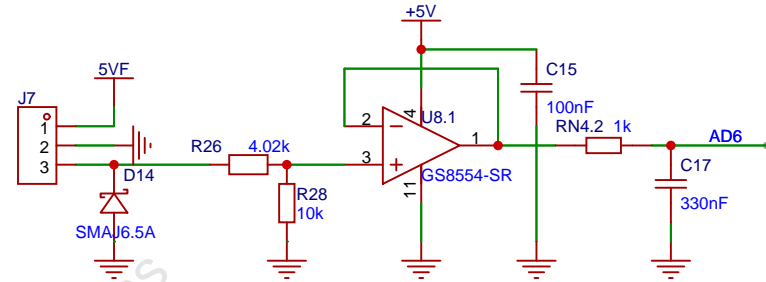
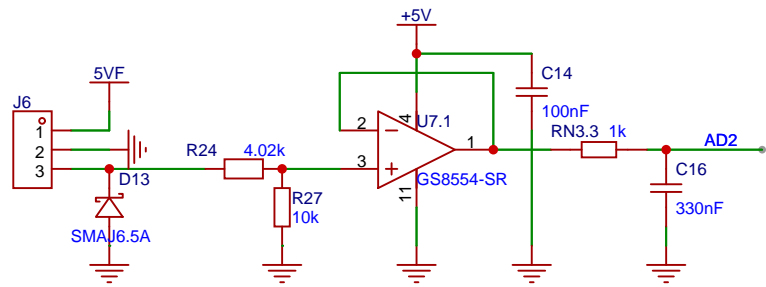
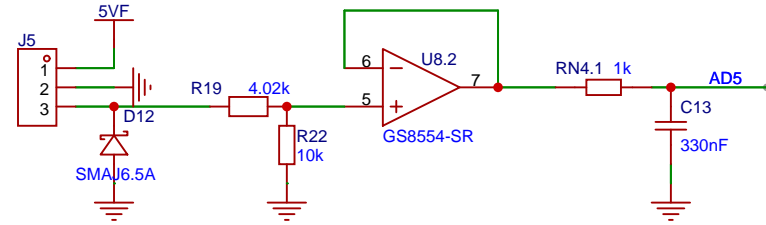
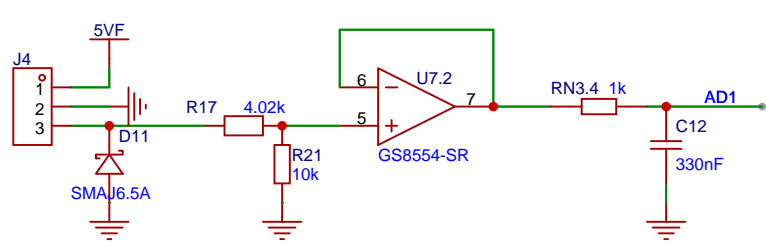
PAGE 2 OF 6



Sequent Microsystems

SEQUENTMICROSYSTEMS.COM	
8-CRT-SENSE-V1	SKU : SM-I-032
COMMUNICATION	VER : 1.0
Created: 2022-08-23	Updated: 2024-12-20
UPC : 4782912927052	PAGE 3 OF 6

HSTS016L SENSOR



SEQUENTMICROSYSTEMS.COM

8-CRT-SENSE-V1

SKU : SM-I-032

ANALOG INPUTS

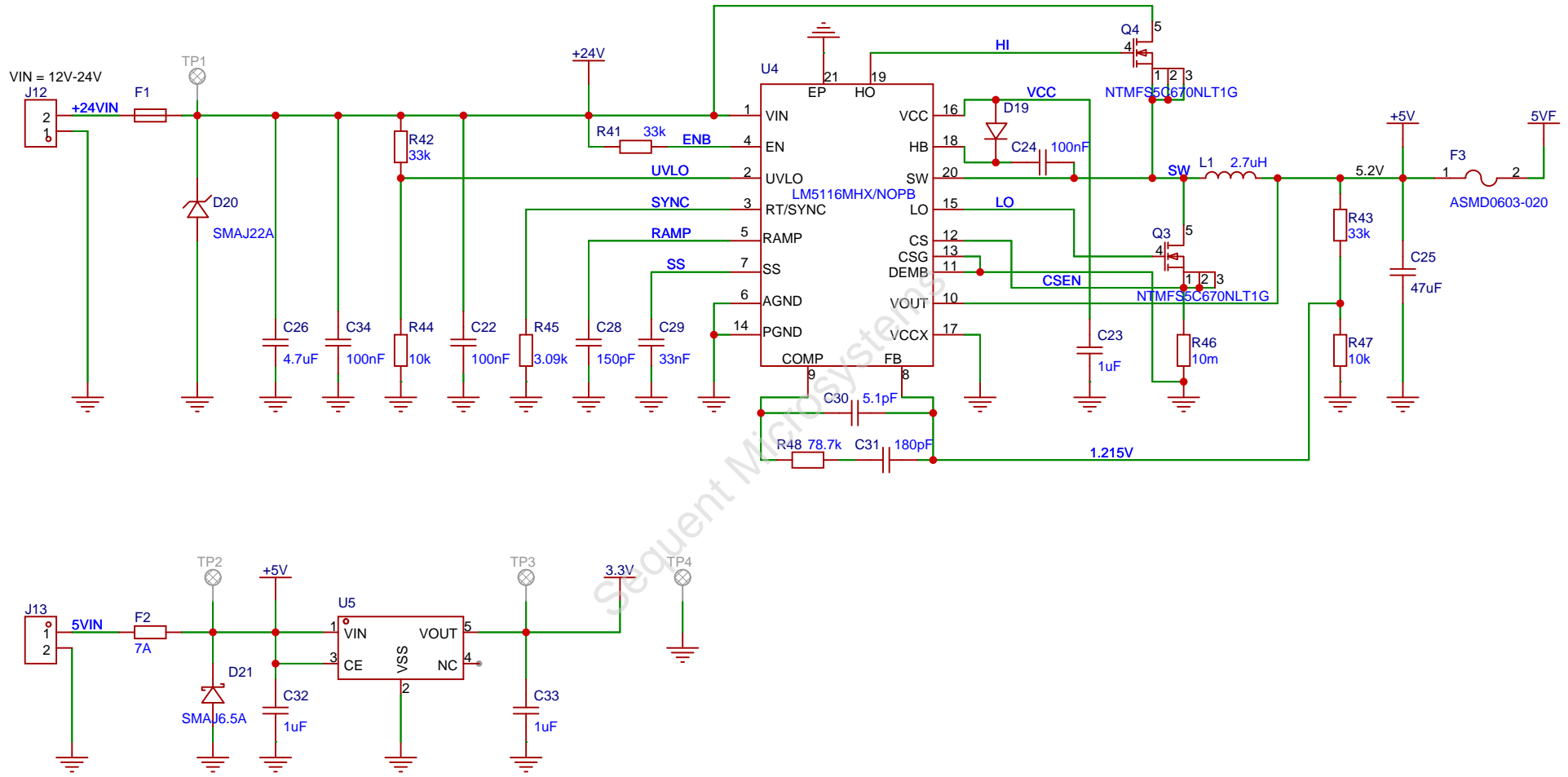
VER : 1.0

Created: 2022-08-19

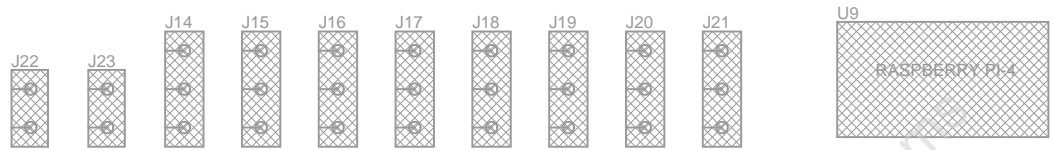
Updated: 2025-01-07

UPC : 4782912927052

PAGE 4 OF 6



SEQUENTMICROSYSTEMS.COM	
8-CRT-SENSE-V1	SKU : SM-I-032
POWER SUPPLY	VER : 1.0
Created: 2022-08-01	Updated: 2025-01-15
UPC : 4782912927052	PAGE 5 OF 6



CONNECTOR PLUGS

MOUNTING HOLES

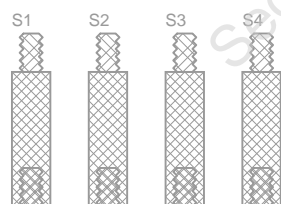


Convert to PCB : yes

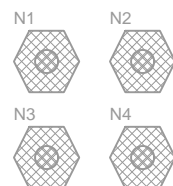
HOLE COORDS

138,138
2421,138
138,2067
2421,2067

19mm STANDOFFS



2.5MM NUTS



2.5MM X 5MM SCREWS



SEQUENTMICROSYSTEMS.COM

8-CRT-SENSE-V1

SKU : SM-I-032

ACCESSORIES

VER : 1.0

Created: 2022-08-04

Updated: 2024-12-20

UPC : 4782912927052

PAGE 6 OF 6