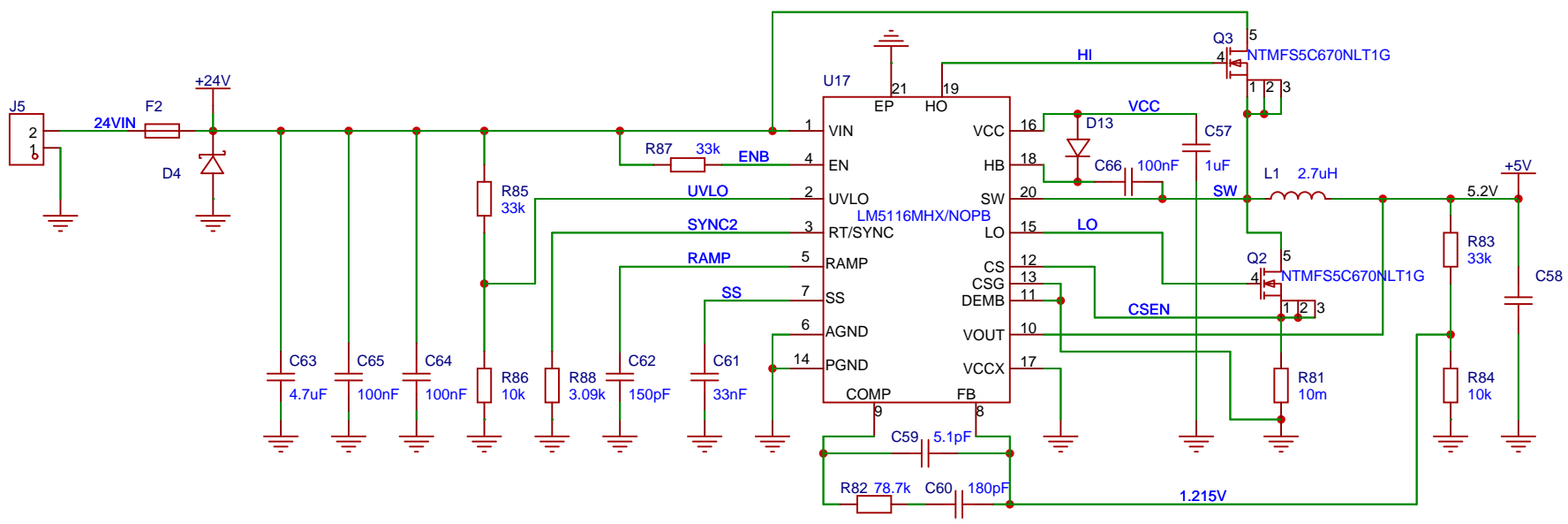
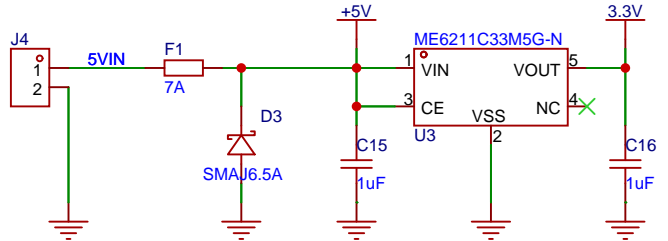
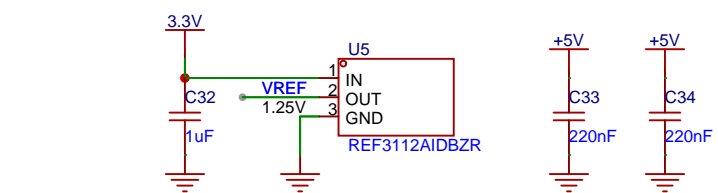
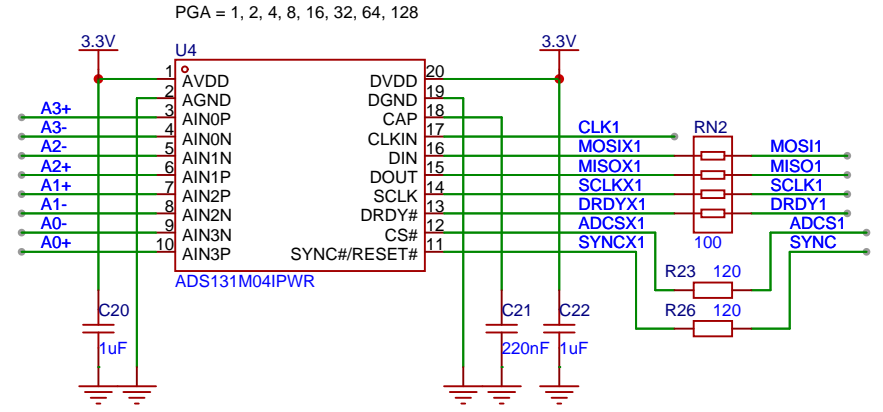
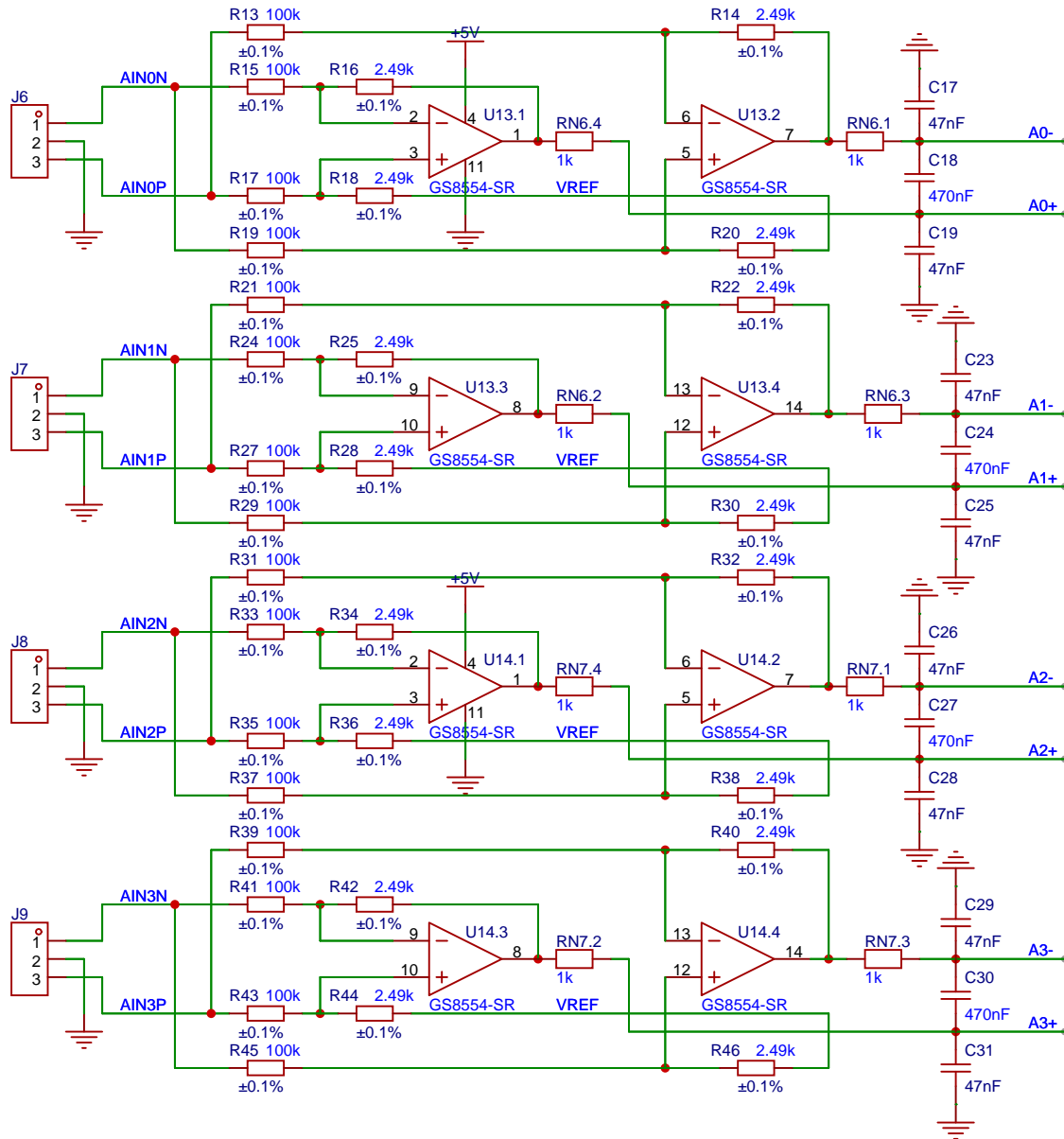


SEQUENTMICROSYSTEMS.COM

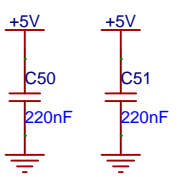
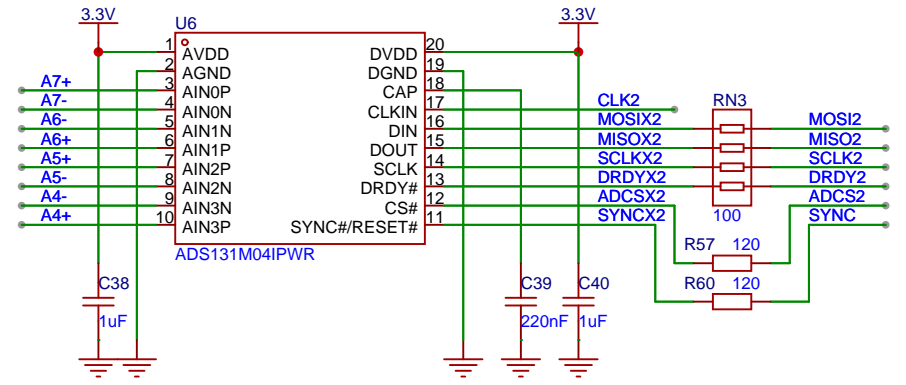
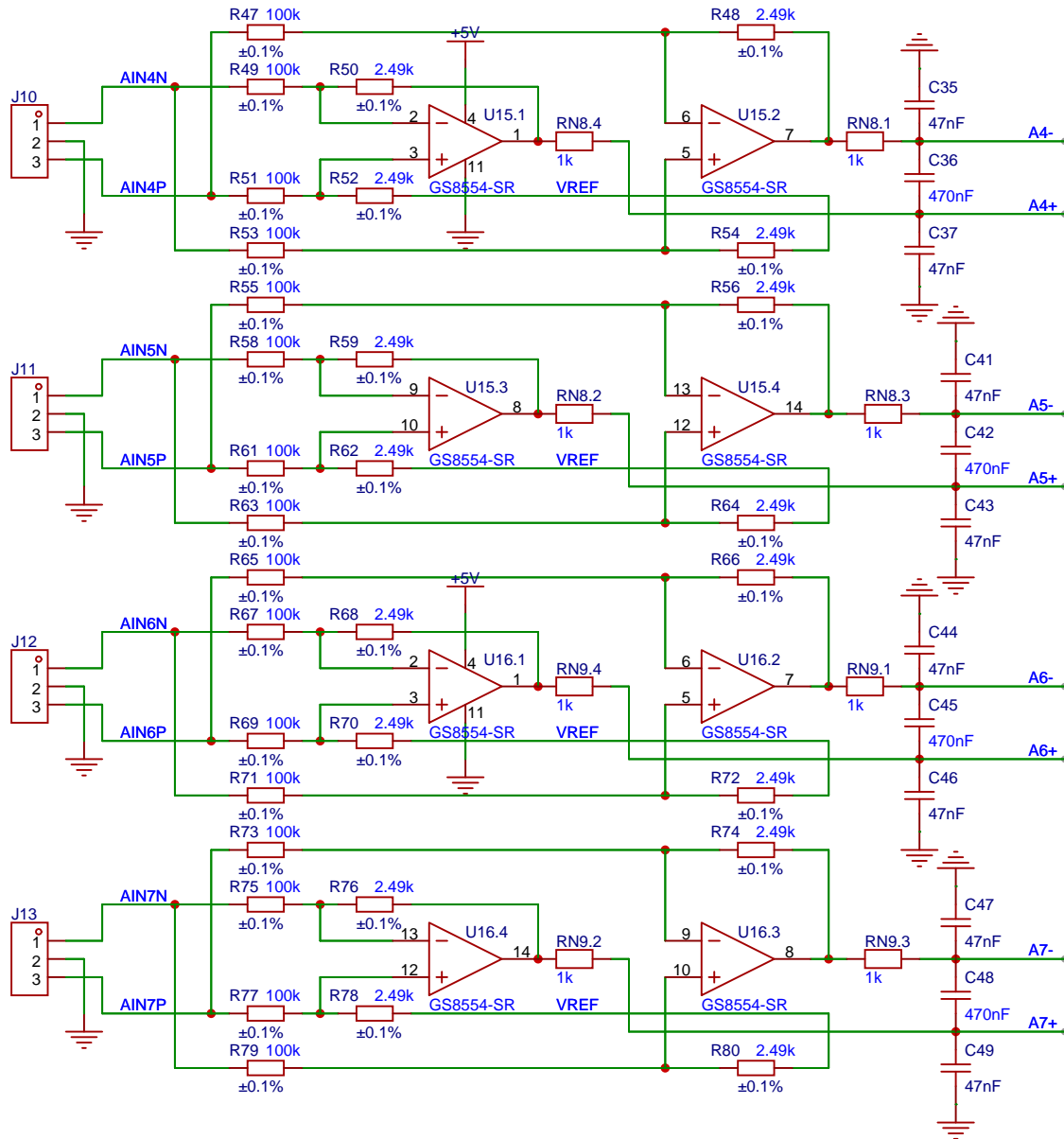
8-24BIT-A2D-V1_1	SKU : SM-I-022
COMMUNICATION	VER : 1.1
Created: 2022-08-25	Updated: 2025-01-28
UPC : 4782912926871	PAGE 3 OF 9



SEQUENTMICROSYSTEMS.COM	
8-24BIT-A2D-V1_1	SKU : SM-I-022
POWER SUPPLY	VER : 1.1
Created: 2022-08-01	Updated: 2025-01-28
UPC : 4782912926871	PAGE 4 OF 9

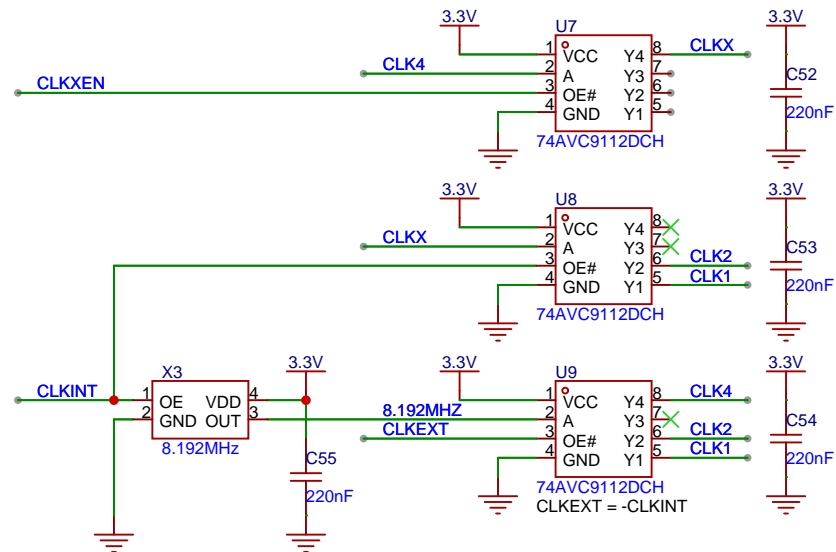


SEQUENTMICROSYSTEMS.COM	
8-24BIT-A2D-V1_1	SKU : SM-I-022
INPUTS 1-4	VER : 1.1
Created: 2022-08-17	Updated: 2025-01-28
UPC : 4782912926871	PAGE 5 OF 9



SEQUENTMICROSYSTEMS.COM

8-24BIT-A2D-V1_1	SKU : SM-I-022
INPUTS 5-8	VER : 1.1
Created: 2024-10-19	Updated: 2025-01-28
UPC : 4782912926871	PAGE 6 OF 9



SEQUENTMICROSYSTEMS.COM

8-24BIT-A2D-V1_1

SKU : SM-I-022

CLOCKS

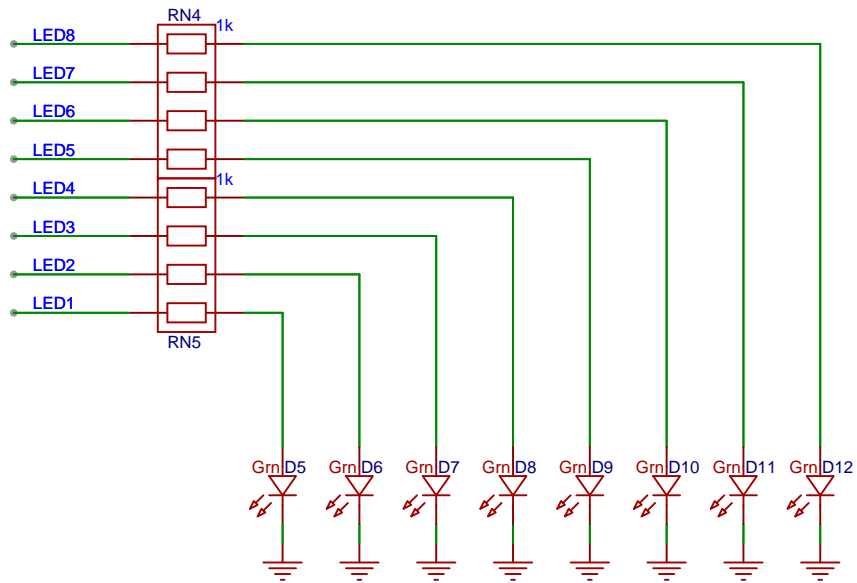
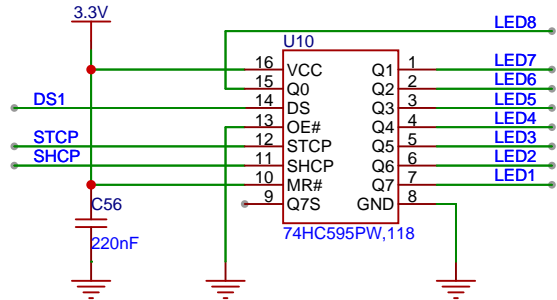
VER : 1.1

Created: 2024-10-19

Updated: 2025-01-28

UPC : 4782912926871

PAGE 7 OF 9



SEQUENTMICROSYSTEMS.COM

8-24BIT-A2D-V1_1

SKU : SM-I-022

LEDS

VER : 1.1

Created: 2022-08-19

Updated: 2025-01-28

UPC : 4782912926871

PAGE 8 OF 9

CONNECTOR PLUGS



MOUNTING HOLES



Convert to PCB : no

HOLE COORDS

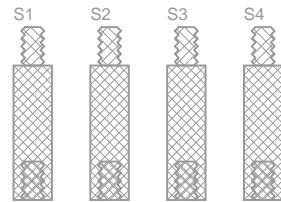
138,138
2421,138
138,2067
2421,2067



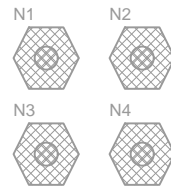
Convert to PCB : yes

HOLES 5-8 HAVE STANDOFFS.
CONVERT TO PCB ONLY ONE SET

19mm STANDOFFS



2.5MM NUTS



2.5MM X 5MM SCREWS



SEQUENTMICROSYSTEMS.COM

8-24BIT-A2D-V1_1

SKU : SM-I-022

ACCESSORIES

VER : 1.1

Created: 2022-08-04

Updated: 2025-01-28

UPC : 4782912926871

PAGE 9 OF 9